

ENSTO

EnstoNet

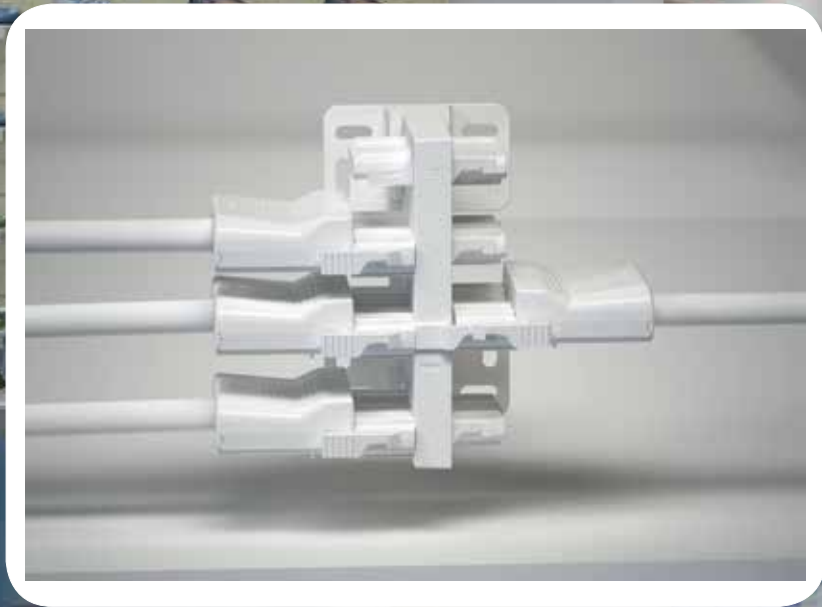
Installation Coupler Systems



Better life.
With electricity.

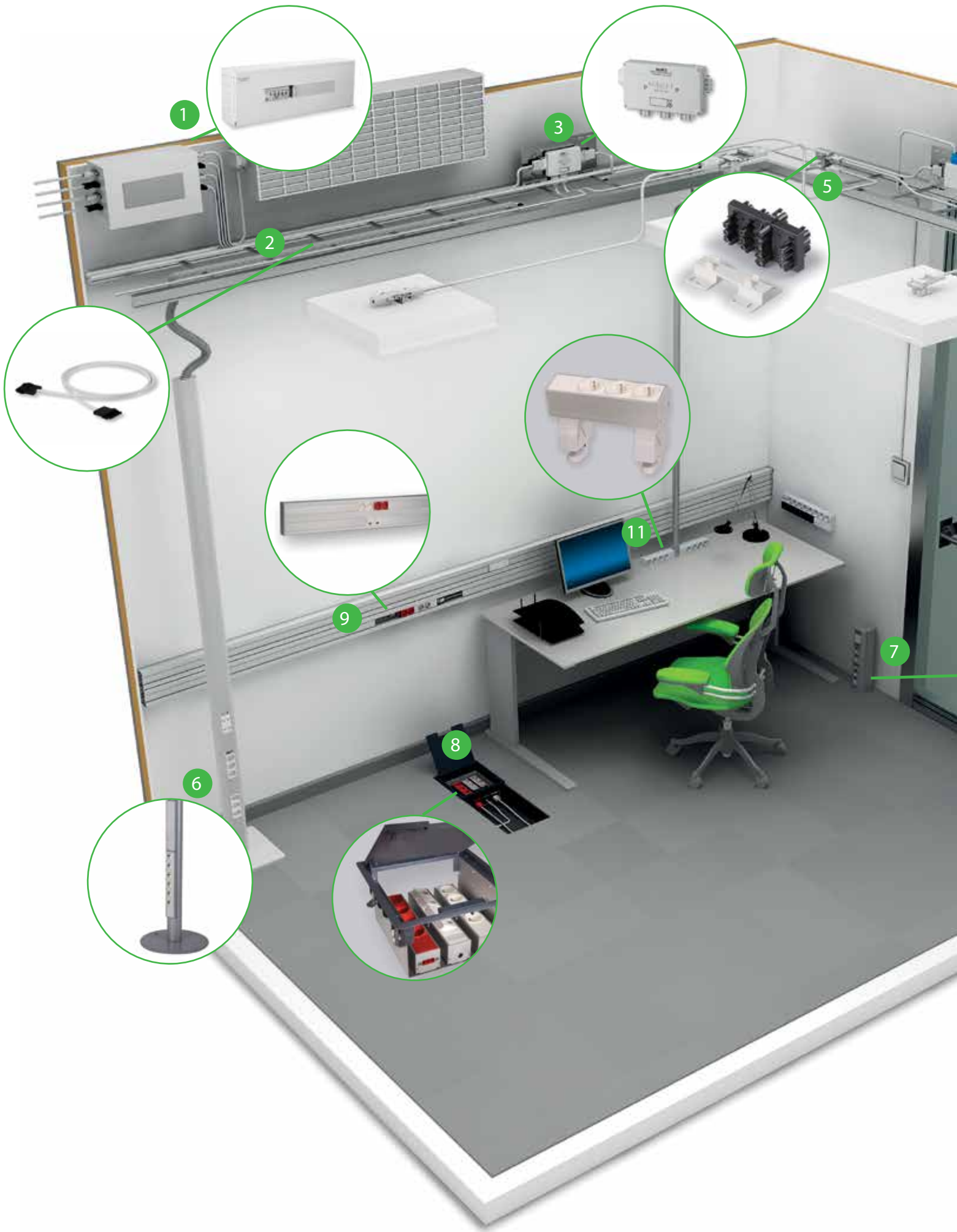
Our systems adapt so you don't have to. Our selection offers comprehensive solutions for commercial building electrical installations.

ensto.com



CONTENT

Office electrification system	4
An installation system for offices and business premises	6
EnstoNet installation system's benefits	7
EnstoNet system's carbon footprint	8
The key component is the installation coupler	11
Ensto Plugi	12
Office	14
Classroom	16
Work premises	18
Lighting connections	20
Installation system products	22
Distribution boxes	24
Switch boxes	27
Socket outlet boxes	31
Distribution blocks	33
T-blocks with wires and cables	37
Lead sets	41
Screw couplers	60
Screwless couplers	66
Printed circuit board couplers	69
Installation coupler accessories	72
Codes for product groups	76
Technical specifications	77
Electrical symbols	78
Connection diagrams	79
Dimension drawings	82
Index	96



Functional, flexible and efficient Office electrification system



Installation system products

- 1 Control units
- 2 EnstoNet lead sets
- 3 Distribution boxes
- 4 Socket outlet boxes
- 5 Distribution blocks



Workspace electrification system products

- 6 Service poles
- 7 Mini posts
- 8 Floor boxes for technical floor
- 9 45 mm duct (PVC and aluminum)
- 11 Socket outlet boxes for work points



For further information, please contact
your local sales representative.

ensto.com/where-to-buy

EnstoNet

An installation system for offices and business premises



Business premises have an ever-increasing number of devices that need to be connected to the electricity network. At the same time, users' needs with regard to the location of sockets change continuously, which adds another layer of difficulty to electrical design. To meet these challenges, we have developed a flexible installation solution, which adapts to the user's needs in a cost-efficient manner.

Speed for your benefit

Fast-paced and dynamic business operations present ever-increasing challenges to modern building production. No time is wasted in putting decisions into action. Plan details take shape while construction work shifts along at a rapid pace. The intended use of the premises - and even the end users - may change in the final stretch, making flexible installation design a must. In modern work environments, electricity is required for most tasks. The EnstoNet installation system guarantees a safe and rapid power supply at varying voltages and in different modes.

Customer orientation is the mainstay of Ensto's operations. This is evident in our solutions, created in collaboration with our customers to produce adaptable and easy-to-install electrical systems.

Our installation system's benefits include:

- easy duplication of modular plans
- reductions in material costs and installation times
- shorter lead times for electrification projects
- flexibility to changes throughout the system's life cycle
- reusable installation components
- environmentally friendly installation, without wastage

Typical applications include:

- offices
- shopping centres
- stores
- hotels
- schools
- fair and exhibition centres

EnstoNet installation system's benefits

Quick to install, short payback period



The EnstoNet concept

EnstoNet electrical installations are built in stages from prefabricated modules. With EnstoNet products, lighting and socket groups are completed quickly as luminaires and socket fixtures are fitted, without the need to open the distribution boxes or other components.

Thanks to our installation solution, large systems can also be installed as clear and manageable modules. Therefore, electrical work can be carried out simultaneously with the building of structures, and each module is ready for use without delay.

With the EnstoNet system, you do not need any additional installation accessories or tools. Stored in their own boxes, all components are easy to find. Deliveries can be planned to suit the project schedule. And what's more, the EnstoNet system is not only quick and easy but also environmentally friendly. It does not generate any plastic or metal waste at the project site.

Adaptability

Throughout its service life, a building's use, and its users and their needs, typically change dozens of times. Even minor changes, such as moving workstations to a different location within the premises, have traditionally resulted in downtime and the need for electrical work.

EnstoNet is an extremely flexible system for implementing changes, that can be carried out without new installations and with minimal disruption to work. The existing systems can be taken down and reused, or alternatively expanded to meet the changing needs. As there is no demolition waste, the system promotes the development of sustainable and environmentally friendly processes. Eco-friendly design is important to Ensto.

Quick installation

In the installation of building management technology, electrification work takes place in the latter stages of the project. Plans may change several times before this stage is reached. As a result, the constructor has very little time for the realisation of the final plans, which makes finding suitable workforce and coordinating work at the project site challenging. The EnstoNet installation system enables you to avoid these pitfalls and stick to the schedule. With quick installation processes, even larger projects can be managed without additional personnel.

The EnstoNet installation system helps to reduce the carbon footprint in electrical installation

Example: Electrical installation in a 1,600m² open-plan office

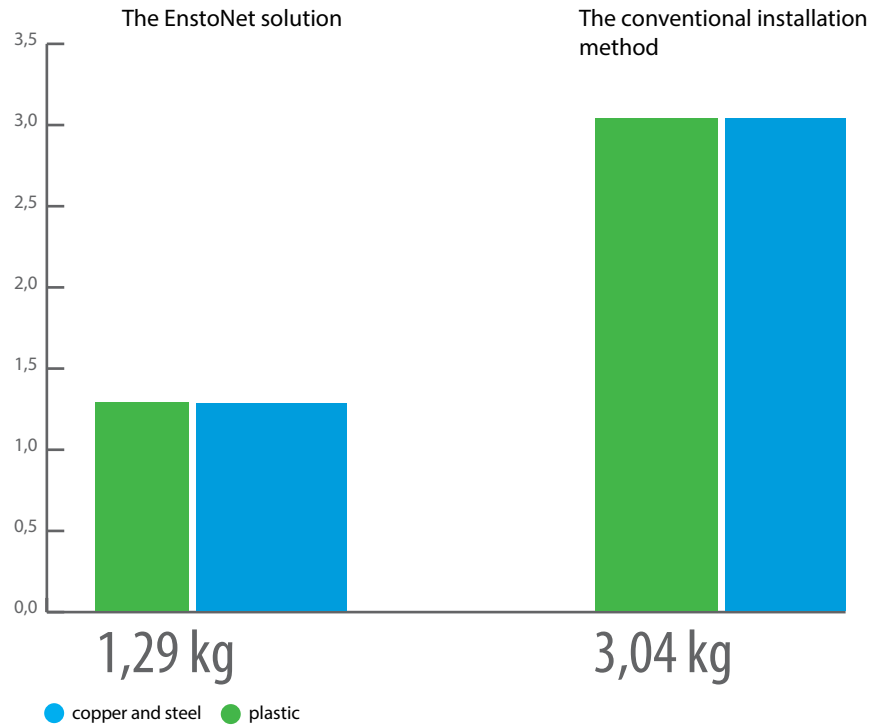
In this comparison, we looked at an office space with 88 work points. Lighting for the work points was realised as general lighting mounted on the ceiling, while sockets were fixed to four-sided service poles mounted on the floor. This analysis covers electric cabling for grouped fixtures in drop ceiling installations. The impact of the service poles' and luminaires' material was not taken into account in the calculation of the total carbon

footprint. These calculations only apply as far as the factory gates. They do not include transport to the project site. The comparison was carried out by commissioning two separate electrification solutions from an independent electrical designer. One of the designs applied a conventional electrification method with a central floor distribution board and circuits were distributed from it to the luminaries and work points. The

other design utilized prefabricated cable sets and decentralized small panel boards distributed evenly to the office floor. These designs' life cycle impacts were calculated by Bionova Oy (www.bionova.fi) in compliance with the ISO 14040/14044 standard. According to Bionova's report, the EnstoNet system brings considerable environmental benefits.



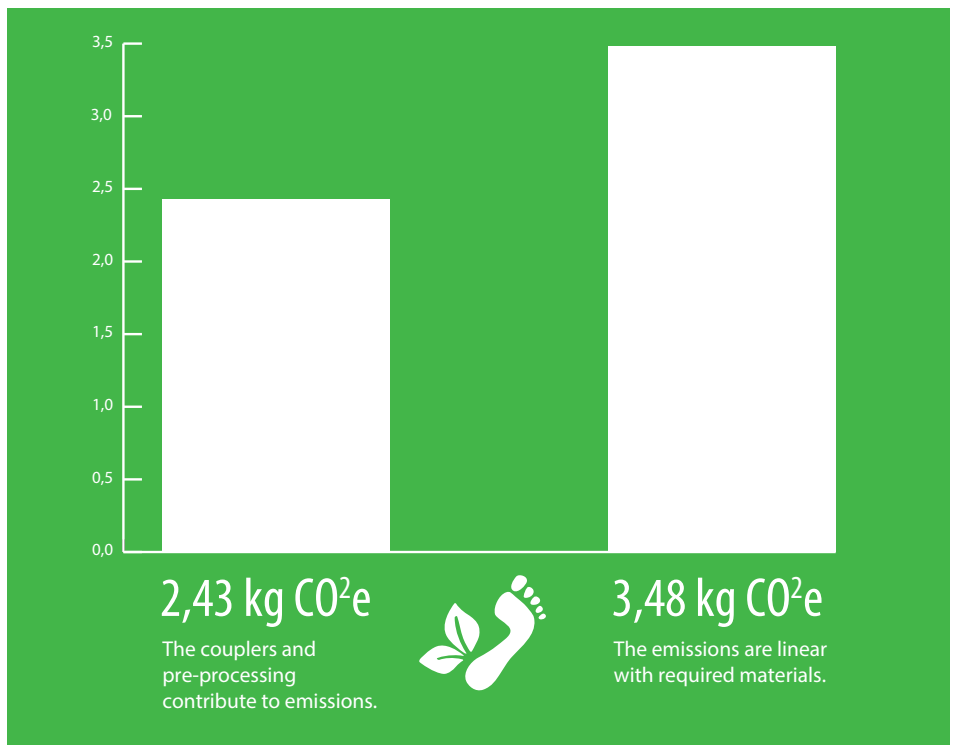
In the electrification of an office, EnstoNet reduces the amount of material used per work point by half.



EnstoNet saves **57%** of materials by mass

EnstoNet solution saves 57% of materials by mass. In traditional installation, long cables distribute electricity from panels. With EnstoNet solution, the electricity panels are distributed and cabling is much shorter.

EnstoNet reduces office electrification carbon footprint of electrified work point by 30%.



EnstoNet reduces **30%** of office electrification carbon footprint

EnstoNet saves 30% of the carbon footprint. This does not consider the benefits in delivery or in installation. Traditional cabling generates waste and requires more energy and manpower at the site, as well as taking time. With EnstoNet, the components are delivered to measure and can be quickly plugged into each other.

Source: Bionova EPD report 03/2015



The key component of the EnstoNet system is the installation coupler.

Well-suited to a wide range of applications!

We designed the EnstoNet system to make connecting couplers to each other easy and safe. Couplers are colour-coded on the basis of the recommended use, and the components intended for different applications are structurally incompatible. When the couplers are used in accordance with these recommendations, maintenance and making changes to the system are easy. The EnstoNet system is most commonly used in power supply for lighting, but another common application is the wiring for sockets, realised either as drop ceiling or technical floor installation.

In addition to these, the EnstoNet system can also be used for wiring any other equipment on the premises, including heating and cooling systems. Because of their high usability, installation couplers have become increasingly popular among the manufacturers of luminaires for public premises and also the manufacturers of other equipment. In addition to power distribution, the EnstoNet system is suitable for the realisation of control signal and bus solutions, either independently or alongside other electrification.

Code A, white and black couplers

These couplers are mainly intended for lighting and socket outlet distribution connections.

Code B, blue couplers

The blue series is meant for use in various control applications. The couplers can also be used for other circuit connections when so specified by an electrical engineer.

The beige couplers can be used as an additional series, when necessary.

Code C, grey couplers

The grey couplers are intended for bus and extra low voltage solutions. 5-pole version is suitable for connecting the power supply and control line within the same wiring. The red couplers are intended for use as an additional series, when necessary.



Ensto Plugi

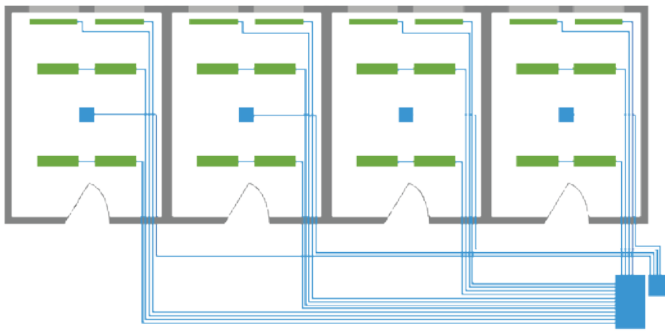
Fast, flexible and cost-efficient electrification

Ensto Plugi unites the EnstoNet installation system with smart controlling solutions. It is a customised power distribution and control system for public premises that utilizes EnstoNet installation couplers.

In the early 2000s, Ensto developed its EnstoNet installation system, which included the main power distribution components and couplers for electrical circuits. Over the years, the selection has expanded as installation couplers have gained a stronger foothold in the electrification of offices and other business premises.

Ensto Plugi combines the EnstoNet system with intelligent control and related programming services. The available controls systems are KNX, KNX-Dali or wireless eNet. The end result is the most flexible prefabricated solution for electrification and control available on the market.





The commonly designed electrification



The Ensto Plugi decentralised solution

A customer-specific control unit at the heart of the system

Ensto Plugi's key component is the unique, versatile control unit, the first of its kind on the market. It offers an easy means of realising a flexible decentralised electrification system, with numerous benefits.

The control units are designed individually for each project, and manufactured for the EnstoNet system on a case-by-case basis. The units may include circuit breakers for distribution blocks or RCCBs. The control units come complete with bus control devices connected to the EnstoNet couplers and all programming is carried out before delivery, so the units are ready to be connected to the installation system on-site. The units' frames are made of steel sheeting treated with powder coating. The units are installed in the cable trays or luminaire tracks above the ceiling tiles or walls.



Benefits and savings for changing needs

The benefits offered by the EnstoNet system are further enhanced when combined with a control system for electrification. Instead of installation and programming work requiring specialist skills, all that needs to be done on-site is to connect the preprogrammed control unit with pre-fabricated cables to the rest of the system. This saves time at the critical stages of the construction project and minimises the amount of waste material, resulting in reduced costs.



Ensto Plugi

Office Electrification



EnstoNet control and distribution units

- The key component of decentralised circuit electrification
- Realised on a case-by-case basis for each project in collaboration with an electrical engineer
- Quick installation without the need to open the unit
- Inputs and outputs with installation couplers



Floor sockets and socket modules

- A floor socket outlet boxes equipped with Schuko socket, for technical floor
- IP66 closed
- Customised socket outlet boxes for electrical installations for work points
- Also available with a circuit breaker



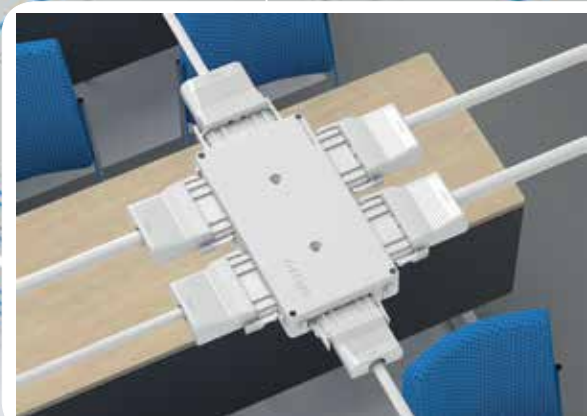
Prefabricated cable sets

- Our selection includes device and extension cables in a variety of lengths
- Available with halogen-free and PVC cables
- Comes with stripped and welded free ends
- We also provide special cables on request

Ensto Plugi

Classroom Electrification





Distribution boxes and Switch boxes

- for distributing and extending circuits
- for the realisation of control connections (wired or RF control)
- design of customer-specific wiring connections is possible
- an easy and safe way to realise complex circuit solutions
- a wide range of mounting methods



Service poles

Ensto's service poles for socket outlets enable you to maximise the usability and adaptability of your premises. Our elegant, free-standing service poles can be placed in a location close to the user, eliminating the need to have bundles of cables on access routes. Our standard service pole selection includes a range of solutions for work areas, from the electrification of a single work point to islands with four work points.

Free-standing service poles

- the standard selection includes drop down pole and 1-, 2- or 4-sided service poles with socket and data outlets
- white paint and anodised aluminium as standard finishes
- tested data transfer cables: Gigabit Ethernet/10-Gigabit Ethernet
- the pole can be mounted on a concrete ceiling, cable shelf or plasterboard ceiling (requires an accessory)
- a wall-mounted model is also available (1-sided)
- customised special models available on request

Ensto Plugi

Commercial Electrification





Ensto socket outlet units

EnstoNet socket outlet boxes offer an easy way to perform the electrification of any equipment with Schuko plugs to be placed in office and shop premises with drop ceiling and luminaire track installations.

- Flexible solution
- Socket outlet boxes from the high-quality Ensto Intro range
- Reliable operation throughout the product's service life
- in addition to the conventional double Schuko sockets, models with two double Schuko sockets and special models are available

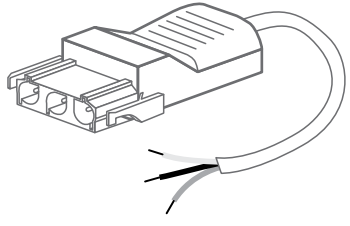
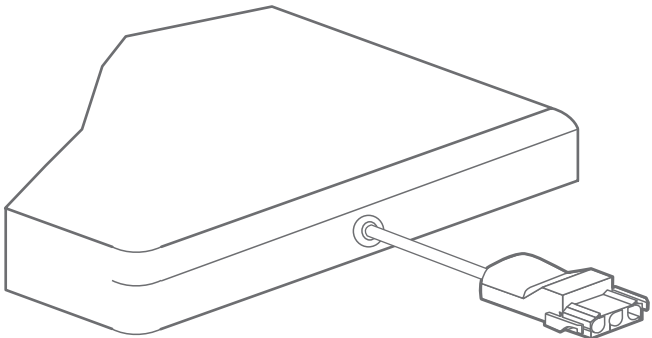


Distribution blocks with a base

- For distributing and extending circuits
- single-phase distribution with six outlets
- 3-phase distribution with two phase outputs
- A cost-efficient distribution solution
- Easy to mount

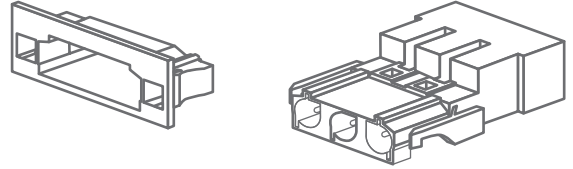
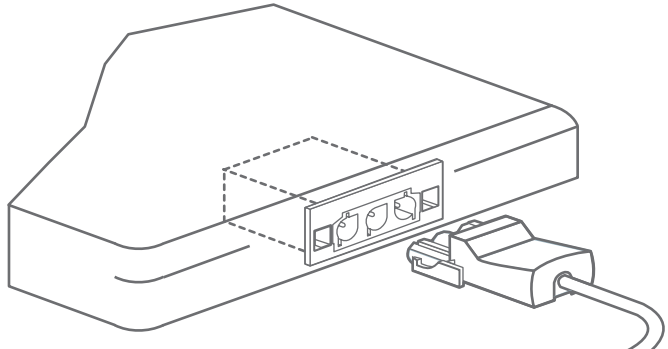
Lighting connections with EnstoNet couplers

3- or 5-pole EnstoNet leads



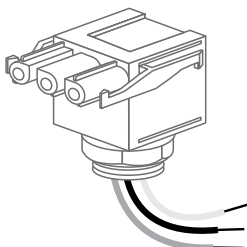
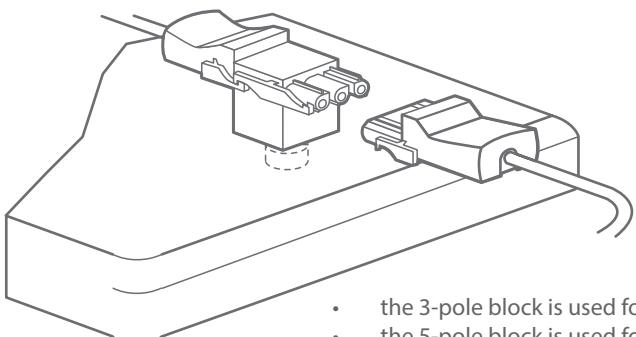
- the 3-pole lead is used for 1-phase distribution
- the 5-pole lead is used for 1-phase distribution and bus control or 3-phase distribution

3- or 5-pole EnstoNet screwless terminal with flange mounting



- the 3-pole lead is used for 1-phase distribution
- the 5-pole lead is used for 1-phase distribution and bus control or 3-phase distribution

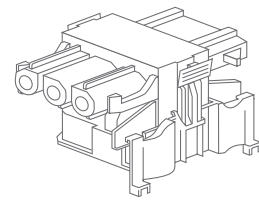
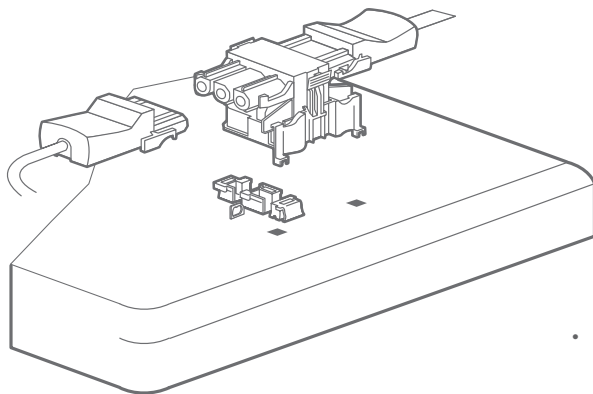
3- or 5-pole distribution block with wires or cables



- the 3-pole block is used for 1-phase distribution
- the 5-pole block is used for 1-phase distribution and bus control (grey) or 3-phase distribution (white)

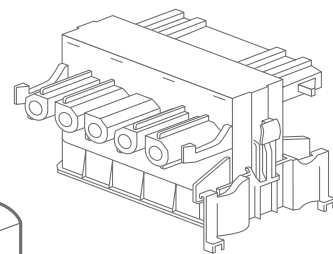
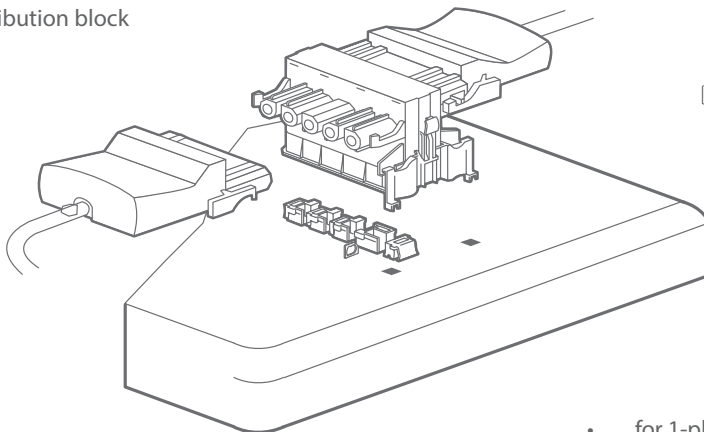


3-pole Linect® distribution block



- for 1-phase distribution

5-pole Linect® distribution block



- for 1-phase distribution and bus control

Products

Code key

for installation system products

N	A	D	5	T	G	
N						N = product group (EnstoNet)
	A B C G					A = Mechanical coding for power supply lines B = Mechanical coding for switching lines C = Mechanical coding for control-bus lines G = Mechanical coding for combinations Note: Products with different mechanical coding are not compatible with each other
		D J				D = Distribution block J = Junction box
			5			5 = 5-pole connection, etc.
				T		T = T-type distributor B = T-type distributor with wires BS = T-type distributor with cable LA = T-type Linect distributor (power) LI = T-type Linect distributor (power and dali)

N	A	J	D	M	56	.B	
N							N = product group (EnstoNet)
	A B C G						A = Mechanical coding for power supply lines B = Mechanical coding for switching lines C = Mechanical coding for control-bus lines G = Mechanical coding for combinations Note: Products with different mechanical coding are not compatible with each other
		D J P					D = Distribution block J = Junction box for modular wiring P = Socket outlet distribution box
			D				D = Distribution box K = Switch box R = Relay box
				M P			M = Wired circuit P = Pcb-circuit board
					56		56 = 5-pole feed through with six 3-pole outputs, etc.
						.B .G .S .WG	.B = color code of the connectors used (black) Grey Blue White (power) and grey (bus)

EnstoNet installation system products

Distribution boxes

Distribution boxes are commonly used, for example, for electric cabling of grouped lighting fixtures and sockets. Our standard selection offers solutions for the vast majority of applications, whether they are single-phase, three-phase or bus control applications or a combination of them. Designed to provide flexibility with regard to both couplers and connections, our distribution boxes are easy to customise to meet your specific needs.

Distribution boxes can be fixed to the installation plate with screws (max. \varnothing 6 mm), either through the two holes in the middle of the box or the four holes in its corners. The product has grooves for cable ties and four holes for snap-on pins. Snap-on pins are sold separately.

Distribution box, single-phase continuous, with three single-phase outlets

With the NAJDM33 distribution box, a single-phase supply is branched into three single-phase outputs.

Product code	GTIN	Description	Weight	Package
NAJDM33	6418677706479	Single-phase continuous, three single-phase outlets	232 g	10



Distribution box, single-phase continuous, with six single-phase outlets

The NAJDM36 distribution box directs a single-phase supply to six single-phase outputs.

Product code	GTIN	Description	Weight	Package
NAJDM36	6418677706486	Single-phase continuous, six single-phase outlets	287 g	10



Distribution box, three-phase continuous, with three single-phase outlets

With the NAJDM53 distribution box, a three-phase supply is branched into three single-phase outlets, L1, L2 and L3.

Product code	GTIN	Description	Weight	Package
NAJDM53	6418677700644	Three-phase continuous, three single-phase outlets	254 g	10



Distribution box, three-phase continuous, with six single-phase outlets

With the NAJDM56 distribution box, a three-phase supply is divided into six single-phase outlets. The distribution boxes outlets are 2 x L1, 2 x L2 and 2 x L3.

Product code	GTIN	Description	Weight	Package
NAJDM56	6418677700651	three-phase continuous, six single-phase outlets	315 g	10



Distribution box, single-phase continuous, with three single-phase outlets, black couplers

Equipped with black couplers, the single-phase distribution box NAJDM33.B is designed for use in back-up power supply (UPS). With the distribution box, a continuous supply is branched into three single-phase outlets: L1, L2 and L3.

Product code	GTIN	Description	Weight	Package
NAJDM33.B	6418677716539	Single-phase continuous, three single-phase outlets, black	286 g	10



Distribution box, single-phase continuous, with six single-phase outlets, black couplers

Distribution box NAJDM36.B directs a single-phase supply into six single-phase outlets.

Product code	GTIN	Description	Weight	Package
NAJDM36.B	6418677717451	Single-phase continuous, six single-phase outlets, black	287 g	10



Distribution boxes

Distribution box, single-phase, continuous with bus control, four single-phase outlets with bus control

The NCJDM545.G distribution box is designed for the cabling of bus-controlled lighting systems. It has one single-phase inlet and four single-phase outlets with five-pole couplers (L, N, E, a+, b-).

Product code	GTIN	Description	Weight	Package
NCJDM545.G	6418677683688	Four single-phase outlets with bus control, grey	255 g	10



Distribution box, three-phase continuous, with three single-phase outlets, black couplers

Equipped with black couplers, the three-phase distribution box NAJDM53.B is designed for use in back-up power supply (UPS). With the distribution box, a continuous supply is branched into three single-phase outlets: L1, L2 and L3.

Product code	GTIN	Description	Weight	Package
NAJDM53.B	6418677706509	Three-phase continuous, three single-phase outlets, black	254 g	10



Distribution box, three-phase continuous, six single-phase outputs, black couplers

Equipped with black couplers, the three-phase distribution box NAJDM56.B is designed for use in back-up power supply (UPS). It directs a single-phase supply into six single-phase outlets: 2 x L1, 2 x L2 and 2 x L3.

Product code	GTIN	Description	Weight	Package
NAJDM56.B	6418677706523	Three-phase continuous, six single-phase outlets, black	315 g	10



Distribution box, with two single-phase inlets, two three-phase outlets, black and white couplers

Equipped with black and white couplers, the single-phase distribution box NGJDM36.WB is a combination box for regular and UPS-secured power supply lines. With the distribution box, two separate inputs (white and black couplers) are branched into single-phase outlets.

Product code	GTIN	Description	Weight	Package
NGJDM36.WB	6418677719561	Single-phase inlets, white/black, three single-phase white and black outlets	297 g	10



Distribution box, with 2x3-phase inlets, 2x3 single-phase outlets, black and white couplers

Equipped with black and white couplers, the three-phase distribution box NGJDM56.WB is a combination box for regular and UPS-secured power supply lines. With the distribution box, two separate inputs (white and black couplers) are branched into single-phase outlets L1, L2 and L3.

Product code	GTIN	Description	Weight	Package
NGJDM56.WB	6418677709340	Three-phase inlets, white/black, three single-phase white and black outlets	315 g	10



Distribution box, for converting single-phase supply installation to EnstoNet installation system

The NAJDM301 distribution box is intended for converting single-phase supply installation to EnstoNet installation system. It can be mounted on a mounting or junction box. The distribution box has two single-phase outlets with installation couplers and 160 mm wires for box connection.

Product code	GTIN	Description	Weight	Package
NAJDM301	6418677706462	Single-phase, two three-pole outlets, 160 mm wires	115 g	10



Distribution boxes

Distribution box, for converting three-phase supply installation to EnstoNet installation system

The NAJDM501 distribution box is intended for converting three-phase supply installation to EnstoNet installation system. It can be mounted on a mounting or junction box. The distribution box has two three-phase outlets with installation couplers and 160 mm wires for box connection.



Product code	GTIN	Description	Weight	Package
NAJDM501	6418677706493	Three-phase, two five-pole outlets, 160 mm wires	119 g	10

Distribution box, for converting three-phase supply with bus to EnstoNet installation system

The NGJDM752.WG distribution box is intended for converting three-phase supply with bus to EnstoNet installation system. It can be mounted on a mounting or junction box. The distribution box has a three-phase outlet, two two-pole bus control outlets with installation couplers and 160 mm wires for box connection.



Product code	GTIN	Description	Weight	Package
NGJDM752.WG	6418677684364	Three-phase input, one five-pole and one two-pole outlet, 160 mm wires	230 g	10

Distribution box, no earth, one inlet, four outlets, grey couplers

The NCJDM252.G distribution box is designed for the wiring of LED lighting solutions. It has a two-pole input from the power source and four outlets for LED luminaires.



Product code	GTIN	Description	Weight	Package
NCJDM252.G	6418677728877	Four outlets for LED luminaires, grey	230 g	10

Distribution box, three-phase continuous, nine three-phase outlets

The NAJDP592.W distribution box can be installed after a control unit for lighting to distribute 3-phase supply line, for example. The distribution box has a vertical five-pole three-phase inlet and outlet and nine horizontal three-phase outlets with five-pole couplers.



Product code	GTIN	Description	Weight	Package
NAJDP592.W	6418677683770	Distribution box, five poles, white (1, 2, E, N, 3)	476 g	10

Distribution box, single-phase and bus-control inputs, nine single-phase outlets and a bus-control outlet

The NCJDP592.G distribution box can be installed after a control unit for lighting to divide a certain storey of a building's main supply line, for example. It has a vertical five-pole single-phase inlet and outlet with bus control and nine horizontal single-phase and bus control outlets with grey five-pole couplers.



Product code	GTIN	Description	Weight	Package
NCJDP592.G	6418677683763	Distribution box, five poles, grey (1, N, E, a+, b-)	476 g	10

Distribution box, single-phase and switching inputs, nine single-phase outlets with a switching control outlet

The NGJDP692.WS distribution box can be installed after a control unit for lighting to divide a certain storey of a building's main supply line, for example. The distribution box has a vertical six-pole supply and nine horizontal outlets with six-pole combination couplers (white and blue).



Product code	GTIN	Description	Weight	Package
NGJDP692.WS	6418677683749	Distribution box, six poles, white/blue (L1, E, N, L2, -, +)	497 g	1

Switch boxes

Switch boxes are commonly used in the control of grouped lighting fixtures and sockets, for example. Our standard selection offers solutions for the vast majority of applications, whether they are single-phase, three-phase or bus control applications or a combination of them. Designed to provide flexibility with regard to both couplers and connections, our distribution boxes are easy to customise to meet your specific needs.

Switch boxes can be fixed to the installation plate by screws (max. \varnothing 6 mm), either through the two holes in the middle of the box or the four holes in its corners. The product has grooves for cable ties and four holes for snap-on pins. Snap-on pins are sold separately.

Switch box, a continuous single-phase inlet for a one-pole switch and three lighting group

With the Switch box, a continuous single-phase supply is branched into an outlet for a one-pole switch and one lighting group. The Switch box can be fixed to an installation plate with two \varnothing 3–4 mm screws. The holes for screws are 75 mm apart.



Product code	GTIN	Description	Weight	Package
NGJKM31	6418677116353	Single-phase	160 g	10

Switch box, single-phase, for a five-pole switch and two single-phase lighting groups

The single-phase, continuous NGJKM335 Switch box is designed for the control of two single-phase lighting groups. With this Switch box, a single-phase supply is distributed to one lighting group via a five-pole switch. In addition to the phase, zero and protective earth are connected to the five-pole switch, and therefore the supply to a cleaning socket located next to a door frame can be connected via the Switch box.



Product code	GTIN	Description	Weight	Package
NGJKM335	6418677708145	Single-phase continuous, with a five-pole switch	246 g	10

Switch box, single-phase, for two-pole switches and two single-phase lighting groups

The single-phase continuous NGJKM322 Switch box can be used to control two single-phase lighting groups via two separate two-pole switches.



Product code	GTIN	Description	Weight	Package
NGJKM322	6418677719660	Single-phase, for two-pole switches and two single-phase lighting groups	340 g	10

Switch box, single-phase, for a five-pole switch to control a five-pole lighting group

The single-phase, continuous NGJKM351 Switch box is designed for controlling a lighting group. The five-pole switch is used to control two separate lighting groups via a five-pole outlet. In addition to the phase, zero and protective earth are connected to the switch, making it possible to connect the supply to a cleaning socket located next to a door frame via the Switch box.



Product code	GTIN	Description	Weight	Package
NGJKM351	6418677706295	Single-phase continuous, with a five-pole switch	235 g	10

Switch box, single-phase, for change-over switches and two single-phase lighting groups

The single-phase, continuous NGJKMF345 Switch box is designed for controlling lighting groups via two change over switches. The two six-pole switches can be used to control two single-phase lighting groups. In addition to the phase, zero and protective earth are connected to the switch, making it possible to connect the supply to a cleaning socket located next to a door frame via the Switch box.



Product code	GTIN	Description	Weight	Package
NGJKMF345	6418677715938	Single-phase, for two change-over switches, with two outlets	245 g	10

Switch boxes

Switch box, single-phase, for a controllable five-pole switch and two single-phase lighting groups

The single-phase, continuous NGJKML335 Switch box is designed for controlling two single-phase lighting groups. With this Switch box, the trunk line is branched into a three-pole output to a switch, which serves as the main switch. This series is equipped with an outlet for a five-pole switch. The switch can be used to control two lighting groups. In addition to the phase, zero and protective earth are connected to the five-pole switch, and therefore the supply to a cleaning socket located next to a door frame can be connected via the Switch box.



Product code	GTIN	Description	Weight	Package
NGJKML335	6418677714849	Single-phase continuous, with a five-pole switch and additional control, two single-phase outlets	259 g	10

Switch box, single-phase continuous for a single-phase lighting group

The single-phase, continuous NGJKM331 Switch box is designed for controlling a single-phase lighting group. With this Switch box, the trunk line is branched into a three-pole output to a switch.



Product code	GTIN	Description	Weight	Package
NGJKM331	6418677683794	Single-phase continuous, with a single-phase outlet	259 g	10

Switch box, three-phase, for a five-pole switch and two single-phase lighting groups

With the Switch box, a continuous three-phase supply is branched into an output for a five-pole switch and two lighting groups. In addition to the phase, zero and protective earth are supplied to the switch, and therefore the supply to a cleaning socket located next to a door frame can be connected via the Switch box.



Product code	GTIN	Description	Weight	Package
NGJKM571	6418677700668	three-phase continuous, with two single-phase outlets and L1 connection	270 g	10
NGJKM572	6418677700675	three-phase continuous, with two single-phase outlets and L2 connection	270 g	10
NGJKM573	6418677700682	three-phase continuous, with two single-phase outlets and L3 connection	270 g	10

Switch box, for three two-pole push buttons and three one-phase lighting groups

The NGJKMF561 Switch box is designed for controlling a lighting group via push buttons. With this Switch box, power supply is branched into three push-button switches, which control an external relay, for example, in the central unit. Via the Switch box, the relay can control three lighting groups.



Product code	GTIN	Description	Weight	Package
NGJKMF561	6418677708251	Five poles, continuous, for a time- or relay-controlled circuit	296 g	10

Switch box, continuous three-phase with phase rotation, with a five-pole switch, for two single-phase lighting groups

The three-phase NGJKMV535 Switch box is designed for controlling two lighting groups. This continuous Switch box is equipped with an internal phase rotation and the supply is branched into outlets for two lighting groups via a five-pole switch. In addition to the phase, zero and protective earth are connected to the five-pole switch, and therefore the supply to a cleaning socket located next to a door frame can be connected via the Switch box.



Product code	GTIN	Description	Weight	Package
NGJKMV535	6418677709302	Three-phase with phase rotation, with a five-pole switch and two single-phase outlets	270 g	10

Switch boxes

Switch box, single-phase, continuous, for change-over switches in corridors

The NGJKMF341 Switch box is designed for use with change-over switches, such as in corridors. Its single-phase input and output are branched into two three-pole outlets for change-over switches and two supplies for lighting fixtures.

Product code	GTIN	Description	Weight	Package
NGJKMF341	6418677708213	Single-phase continuous, with a single-pole switch	245 g	10



Switch box, single-phase, non-continuous, for bus control

The NGJKM346 Switch box is designed for controlling a lighting group via bus control. It is equipped with two three-pole outlets for bus-control push buttons or motion detectors. It provides power supply and control for two lighting groups with five-pole couplers.

Product code	GTIN	Description	Weight	Package
NGJKM346	6418677716683	Single-phase, two five-pole single-phase outlets and a bus-control outlet	251 g	10



Switch box, single-phase, continuous, for bus control

The NGJKM353.WG Switch box is designed for controlling a lighting system via bus control. The Switch box is equipped with a single-phase continuous supply. Three-pole inlet and outlet for bus-control switches or motion detectors. Power supply and control for a lighting group with five-pole grey couplers.

Product code	GTIN	Description	Weight	Package
NGJKM353.WG	6418677728594	Single-phase continuous, for bus control	250 g	10



Switch box, three-phase, continuous, for bus control

The NGJKM525.WG Switch box is designed for controlling a lighting system via bus control. The Switch box is equipped with a three-phase continuous supply. Input and output with two-pole couplers for bus-control switches and motion detectors. Power supply and control for three lighting groups with grey five-pole couplers.

Product code	GTIN	Description	Weight	Package
NGJKM525.WG	6418677725036	Three-phase, continuous, for bus control	260 g	10
NGJKM552.WG	6418677681158	Bus control	260 g	10
NGJRM332	6418677680502	DALI PS amplifier	260 g	10



Relay box, single-phase, continuous, for push button control, for one single-phase lighting outlet

The single-phase, continuous NGJRM31 impulse relay box is designed for controlling a single-phase lighting group via a push button-controlled impulse relay. A designated lead set for connecting the switch to a Switch box is available in the EnstoNet installation range (NBL310N-type, page 45).

Product code	GTIN	Description	Weight	Package
NGJRM31	6418677717390	Single-phase continuous, push button control, one single-phase outlet	319 g	10



Relay box with a holding circuit, single-phase continuous, for push buttons with one single-phase output

The single-phase, continuous NGJRM32 relay box is designed for controlling a single-phase lighting group via a switch-controlled relay. In a serial installation, one of the switches may serve as the main switch, for example in a hotel room's key card system.

Product code	GTIN	Description	Weight	Package
NGJRM32	6418677720017	Single-phase continuous, push button control, one single-phase outlet	320 g	10



Switch boxes

Relay box with a holding circuit, three-phase continuous, with a five-pole switch and external control, for two single-phase lighting groups

The three-phase, continuous NGJRM552 Switch box is designed for controlling two single-phase lighting groups as an energy-saving solution. When daylight is sufficient to provide the required light level, one of the lighting groups may be switched off by a daylight sensor. The other lighting group is controlled in the normal manner via a switch.

Product code	GTIN	Description	Weight	Package
NGJRM552	641867721236	Five poles, five-pole switch and external control, two single-phase outlets	340 g	10



RF relay box, with wireless control for two single-phase groups, continuous single-phase

The continuous single-phase NGJFM335C relay box is designed for controlling lighting and it is equipped with wireless control between the relay box and the switch. The wireless control is based on Schneider's CONNECT system. The EnstoNet boxes may be equipped with wireless receivers from a variety of manufacturers. If the lighting load is high, the NGJRM33 relay box should be installed instead of a RF relay box. An auxiliary relay box can be fixed to the RF box directly with an installation coupler.

Product code	GTIN	Description	Weight	Package
NGJFM335C	641867724312	RF relay box, SRF507501 relay	278 g	10



Relay box with a holding circuit, single-phase continuous, controlled with the NGJFM335C relay box, supply for two lighting groups

The single-phase, continuous NGJRM33 relay box is designed for controlling two single-phase lighting groups via a relay controlled with the NGJFM335C relay box. This relay box can be connected directly to the RF box with an installation coupler. In some cases, the lighting load should be controlled via an auxiliary relay rather than with the RF receiver's relay.

Product code	GTIN	Description	Weight	Package
NGJRM33	641867724305	Relay box for RF control	336 g	10



Socket outlet boxes

Installation socket outlets with installation couplers are used in recessed ceiling applications and mounted to a cable tray or luminaire support tray, for example. Designed to provide flexibility with regard to both couplers and connections, these products are easy to customise to meet your specific needs. The socket can be fixed to the installation plate with screws (max. \varnothing 6 mm), either through the two holes in the middle of the box or the four holes in its corners. The product has grooves for cable ties and four holes for snap-on pins. Snap-on pins are sold separately.

Socket outlet box, with two separate single-phase outlets, with earth, two double socket outlets

The NAP300 socket outlet box is equipped with two separate single-phase installation coupler inlets for regular (white couplers) and secure (black couplers) power supply, branched into two double socket outlets. This box has continuous supply for the outlets.

Product code	GTIN	Description	Weight	Package
NAP300	6418677701078	White and black single-phase couplers	425 g	10



Socket outlet box, single-phase, with earth, two double sockets

The NAP301 socket outlet box has a single-phase supply which is branched into two double sockets. This box has continuous supply for output.

Product code	GTIN	Description	Weight	Package
NAP301	6418677717697	Single-phase white couplers	400 g	10



Socket outlet box, single-phase, with earth, one double socket

The NAP304 socket outlet box has a single-phase supply which is branched into one double socket. This box has continuous supply for output. The socket outlet box can be fixed to the installation plate with four screws through holes in the corners of the box.

Product code	GTIN	Description	Weight	Package
NAP304	6418677701115	Single-phase white couplers	285 g	10
NAP304D	6418677715839	Single-phase white couplers, socket outlet box equipped with "DATA" marking	285 g	10



Socket outlet box, with two three-phase outlets, with earth, two double socket outlets

The NAP500 socket outlet box is equipped with two separate three-phase installation coupler inlets. This socket outlet box has continuous supply for the outputs with phase rotation. The box has an L1 connection.

Product code	GTIN	Description	Weight	Package
NAP500	6418677707629	White three-phase couplers	426 g	10



Socket outlet box, three-phase, with earth, one double socket

The NAP504 socket outlet box has a three-phase supply which is branched into one double socket. This socket outlet box has continuous supply for the outputs with phase rotation. The box has an L1 connection.

Product code	GTIN	Description	Weight	Package
NAP504	6418677707636	Three-phase white couplers	307 g	10
NAP504D	6418677715822	Three-phase white couplers, socket outlet box equipped with "DATA" marking	307 g	10



Socket outlet box, two three-phase continuous inlets phase rotation, with earth, two double sockets

The NAP505 socket outlet box is equipped with two separate three-phase installation coupler inlets for regular (white couplers) and secure (black couplers) power supply, branched into two double socket outlets. This socket outlet box has continuous supply for the outputs with phase rotation in both three-phase groups. The box has an L1 connection.



Product code	GTIN	Description	Weight	Package
NAP505	6418677710124	White and black three-phase couplers	420 g	10

Socket outlet box, three-phase, continuous with earth, two double sockets

The NAP512 socket outlet box has a three-phase installation coupler input, divided into two double sockets. The double sockets have L1 and L2 connections. The Switch box is equipped with a three-phase continuous supply for the outlet.



Product code	GTIN	Description	Weight	Package
NAP512	6418677707643	Three-phase white couplers	428 g	10

Ensto distribution and control units

These units are designed and manufactured individually to meet the customer's project-specific needs. They are given product-specific sale and production codes during the project. The unit's structure enables any project-specific control solutions selected by the designer. We always assess the feasibility of the solution in advance on the basis of the designer's plan. The unit may include components such as circuit breakers, residual-current devices, contactors, bus-control components (including DALI and KNX), control modules, energy meters and other components defined by the customer. The bus-control components have installation-coupler connectivity. The system may also be pre-programmed, making on-site installation quick and easy. The units, which carry position markings, are mounted in the wiring duct on a cable shelf, lighting rails or wall structures. To make the most of the EnstoNet-compatible control and distribution units, they should be installed in a way that enables power supply directly from a power busbar system.



Product code	GTIN	Description	Weight	Package
NGU-KNX-DALI	6418677684449	Ensto KNX-DALI control unit: human presence and light sensor, curtain motor control	2.2 kg	1
NGU-KNX	6418677684456	Ensto KNX control unit for control of lighting and overhead outlet sockets	2.2 kg	1
NGU-ENET	6418677684463	Ensto eNET control unit: RF controlled human presence sensor, curtain motor control	2.2 kg	1

Distribution blocks

Distribution blocks are intended for power and bus distribution in electrical installation circuits. The distribution block's supply is connected to a socket coupler and its outlets to plug couplers. The functioning of each distribution block is described in more detail in the installation diagram. When necessary, distribution blocks can be fixed to an installation plate with screws.

Two-pole distribution blocks, three outlets

Installation screws max. \varnothing 3.5 mm, holes 28 mm apart.

Product code	GTIN	Description	Weight	Package
NAD2.B	6418677116124	One inlet, three outlets, black	24 g	10/50
NAD2.W	6418677116117	One inlet, three outlets, white	24 g	10/50
NBD2.S	6418677116131	One inlet, three outlets, blue	24 g	10/50
NCD2.G	6418677117169	One inlet, three outlets, grey	24 g	10/50



Three-pole T-distributors, two outlets

A plug coupler can be connected to the device with a cable or mounted on the frame of the device with a panel mounting adapter, which is sold separately.

Product code	GTIN	Description	Weight	Package
NAD3T.W	6418677700699	One inlet, two outlets, white	23.2 g	10/50
NAD3T.B	6418677712173	One inlet, two outlets, black	23.2 g	10/50
NBD3T.S	6418677719714	One inlet, two outlets, blue	23.2 g	10/50
NCD3T.G	6418677707889	One inlet, two outlets, grey	23.2 g	10/50
NCD3T.P	6418677707896	One inlet, two outlets, red	23.2 g	10/50



Three-pole Linect T-block, two outlets

Linect T block with a supply and outlet. The T branch is connected to the lighting fixture with a Linect screwless coupler. Linect code A - white

Product code	GTIN	Description	Weight	Package
NAD3LA.W	6418677724428	Linect T block, three poles, A/A code (1, PE, N)	38 g	10/50



Three-pole T-distributors, two outlets, a separate locking device on the side branch

The component can be used when the device does not have space for the standard plane mounting adapter. A plug coupler can be connected to the device with a cable or mounted on the frame of the device with a narrow plane mounting adapter, which is sold separately.

Product code	GTIN	Description	Weight	Package
NAD3TH3.W	6418677700705	One inlet, two outlets, white, no locking latches on the side branch	22.8 g	10/50
NAD3TH3.B	6418677716218	One inlet, two outlets, black, no latches on the side branch	22.8 g	10/50
NCD3TH3.G	6418677707902	One inlet, two outlets, grey, no latches on the side branch	22.8 g	10/50
NCD3TH3.P	6418677707919	One inlet, two outlets, red, no latches on the side branch	22.8 g	10/50



Distribution blocks

Three-pole distribution blocks, three outlets

Installation screws max. \varnothing 3.5 mm, holes 28 mm apart.

Product code	GTIN	Description	Weight	Package
NAD3.W	6418677113284	One inlet, three outlets, white	35.1 g	10/50
NAD3.B	6418677114793	One inlet, three outlets, black	35.1 g	10/50
NBD3.S	6418677116148	One inlet, three outlets, blue	35.1 g	10/50
NCD3.G	6418677117176	One inlet, three outlets, grey	35.1 g	10/50
NCD3.P	6418677117459	One inlet, three outlets, red	35.1 g	10/50



Three-pole distribution blocks, seven outlets

The distribution blocks are fixed with four screws (max. \varnothing 4.2 mm). No separate mounting pad is required if the distribution block is installed partially inside a lighting rail with a minimum width of 70 mm.

Product code	GTIN	Description	Weight	Package
NAD36.W	6418677724152	One inlet, seven outlets, white	104.2 g	10
NAD36.B	6418677724169	One inlet, seven outlets, black	104.2 g	10
NBD36.S	6418677724176	One inlet, seven outlets, blue	104.2 g	10
NCD36.G	6418677724183	One inlet, seven outlets, grey	104.2 g	10
NCD36.P	6418677724190	One inlet, seven outlets, red	104.2 g	10



Four-pole T-distributor, two outlets

A plug coupler can be connected to the device with a cable or mounted on the frame of the device with a panel mounting adapter, which is sold separately.

Product code	GTIN	Description	Weight	Package
NAD4T.W	6418677703652	One inlet, two outlets, white	30.2 g	10/50



Four-pole T-distributor, two outlets, a separate locking device on the side branch

The component can be used when the device does not have space for the standard plane mounting adapter. A plug coupler can be connected to the device with a cable or mounted on the frame of the device with a narrow plane mounting adapter, which is sold separately.

Product code	GTIN	Description	Weight	Package
NAD4TH3.W	6418677703669	One inlet, two outlets, white, no locking latches on the side branch	29.4 g	10/50



Five-pole T-distributors, two outlets

A plug coupler can be connected to the device with a cable or mounted on the frame of the device with a panel mounting adapter, which is sold separately.

Product code	GTIN	Description	Weight	Package
NAD5T.W	6418677716645	One inlet, two outlets, white	37.7 g	10/50
NAD5T.B	6418677716652	One inlet, two outlets, black	37.7 g	10/50
NCD5T.G	6418677716669	One inlet, two outlets, grey	37.7 g	10/50
NCD5T.P	6418677716676	One inlet, two outlets, red	37.7 g	10/50



Five-pole Linect T-block, two outlets

Linect T-block with a supply and outlet, specifically designed for DALI-controlled dimming. The T branch is connected to the lighting fixture with a Linect screwless coupler. Linect code I - blue

Product code	GTIN	Description	Weight	Package
NCD5LI.G	6418677724466	Linect T-block, five poles, C/I code (1, N, PE, a+, b-)	71 g	10/50



Distribution blocks

Five-pole distribution blocks, three outlets

Installation screws max. \varnothing 3.5 mm, holes 58 mm apart.

Product code	GTIN	Description	Weight	Package
NAD5.B	6418677114809	Black	57 g	10/50
NAD5.W	6418677113260	White	57 g	10/50
NBD5.S	6418677116155	Blue	57 g	10/50
NCD5.G	6418677117572	Grey	57 g	10/50
NCD5.P	6418677118074	Red	57 g	10/50



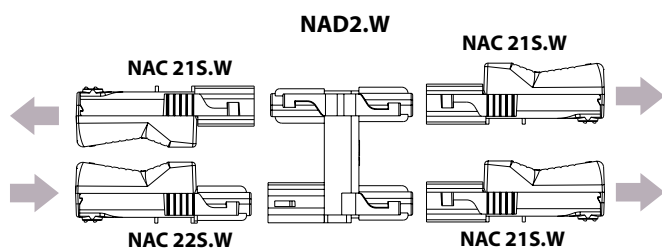
Five-pole distribution blocks, three-phase continuous, six single-phase outlets

With the distribution block, three-phase supply is branched into six single-phase outlets. Three-phase supply can also be fed through the distribution block to the next distribution block, for example. The distribution block can be fixed to an installation plate with a mounting pad included in the delivery. The mounting pad can be fixed with four screws (max. \varnothing 4.2 mm). No separate mounting pad is required if the distribution block is installed partially inside a lighting rail with a minimum width of 70 mm.

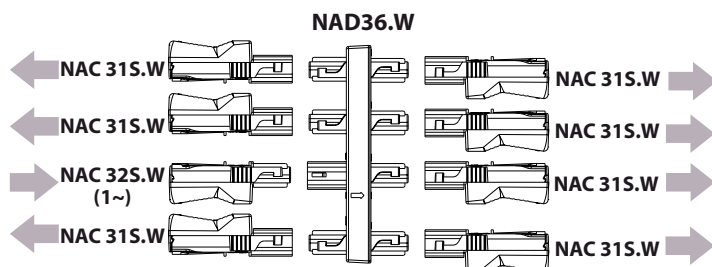
Product code	GTIN	Description	Weight	Package
NAD56.W	6418677724121	One three-phase inlet and outlet, six single-phase outlet, white	117 g	10
NAD56.B	6418677724138	One three-phase inlet and outlet, six single-phase outlet, black	117 g	10
NCD56.P	6418677724145	One three-phase inlet and outlet, six single-phase outlet, red	117 g	10



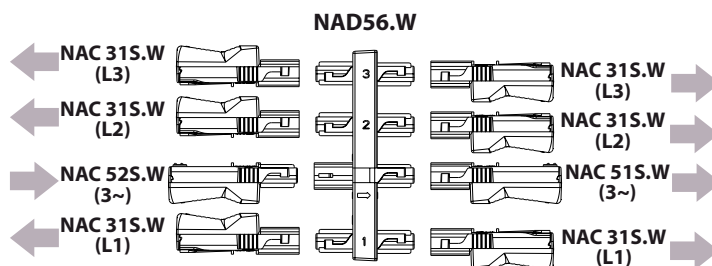
Connection chart for distribution blocks



TYPE	IN	PCS	OUT	PCS
NAD2.W	NAC22S.W	1	NAC21S.W	3
NAD2.B	NAC22S.B	1	NAC21S.B	3
NBD2.S	NBC22S.S	1	NBC21S.S	3
NCD2.G	NCC22S.G	1	NCC21S.G	3
NAD3.W	NAC32S.W	1	NAC31S.W	3
NAD3.B	NAC32S.B	1	NAC31S.B	3
NBD3.S	NBC32S.S	1	NBC31S.S	3
NCD3.G	NCC32S.G	1	NCC31S.G	3
NCD3.P	NCC32S.P	1	NCC31S.P	3
NAD5.W	NAC52S.W	1	NAC51S.W	3
NAD5.B	NAC52S.B	1	NAC51S.B	3
NBD5.S	NBC52S.S	1	NBC51S.S	3
NCD5.G	NCC52S.G	1	NCC51S.S	3
NCD5.P	NCC52S.P	1	NCC51S.P	3



TYPE	IN	PCS	OUT	PCS
NAD36.W	NAC32S.W	1	NAC31S.W	7
NAD36.B	NAC32S.B	1	NAC31S.B	7
NBD36.S	NBC32S.S	1	NBC31S.S	7
NCD36.G	NCC32S.G	1	NCC31S.G	7
NCD36.P	NCC32S.P	1	NCC31S.P	7



TYPE	IN	PCS	OUT	PCS	OUT	PCS
NAD56.W	NAC52S.W	1	NAC31S.W	6	NAC51S.W	1
NAD56.B	NAC52S.B	1	NAC31S.B	6	NAC51S.B	1
NCD56.P	NCC52S.P	1	NCC31S.P	6	NCC51S.P	1

T-blocks with wires and cables

EnstoNet T connectors with wires and cables are used in the installation of lighting fixtures and other devices. They can be fixed to a \varnothing 20 mm hole in the device with a M20 cable gland or a counter screw. The connectors come with stripped halogen-free stranded wires or cables for the device connection. The connectors are supplied via a female coupler and a male coupler is connected to the distribution outlet.

Three-pole EnstoNet T-distributors with halogen-free 1.5 mm² MK wires

The connector comes with 160 mm wires.

Product code	GTIN	Description	Weight	Package
NAD3B.W	6418677113253	White	36.6 g	50
NAD3B.B	6418677700552	Black	36.6 g	50
NBD3B.S	6418677700415	Blue	36.6 g	50
NCD3B.G	6418677117589	Grey	36.6 g	50
NCD3B.P	6418677117596	Red	36.6 g	50



Three-pole EnstoNet T-distributors with three halogen-free 1.5 mm² MK cables

The connector is equipped with a 0.4 m, 1.0 m, 2.5 m or 3.5 m cable.

Product code	GTIN	Description	Weight	Package
NAD3BS.WT004	6418677702709	White, 0.4 m	79.4 g	50
NAD3BS.WT010	6418677719431	White, 1.0 m	112.1 g	20
NAD3BS.WT025	6418677710520	White, 2.5 m	300 g	10
NAD3BS.WT035	6418677680472	White, 3.5 m	490 g	10



Five-pole EnstoNet T-distributors with halogen-free 1.5 mm² MK wires

The connector is selected on the basis of the phase (L1, L2 or L3) the device will be connected to. The connector comes with 160 mm wires.

Product code	GTIN	Description	Weight	Package
NAD5B.W	6418677113277	White, with L1, L2 and L3 connections	56.5 g	50
NBD5B.S	6418677700545	Blue, with A, B, C, D and E connections	56.5 g	50
NCD5B.G	6418677700538	Grey, with L1, a+ and b- connections	56.5 g	50
NAD5B.W-L1	6418677114441	White, with L1 connection	48.6 g	50
NAD5B.W-L2	6418677114458	White, with L2 connection	48.6 g	50
NAD5B.W-L3	6418677114465	White, with L3 connection	48.6 g	50
NBD5B.S-L1	6418677700569	Blue, with A connection	48.6 g	50
NBD5B.S-L2	6418677705397	Blue, with B connection	48.6 g	50
NBD5B.S-L3	6418677705403	Blue, with C connection	48.6 g	50



Five-pole EnstoNet T-distributors with three halogen-free 1.5 mm² MK cables

The connector is selected on the basis of the phase (L1, L2 or L3) the device will be connected to. The connector is equipped with a 0.4 m, 0.5 m, 1.0 m or 2.5 m cable.

Product code	GTIN	Description	Weight	Package
NAD5BS.WT004	6418677702921	White, 0.4 m	94 g	50
NAD5BS.WT004-L1	6418677702730	White, 0.4 m, with L1 connection	84.6 g	50
NAD5BS.WT004-L2	6418677702747	White, 0.4 m, with L2 connection	84.6 g	50
NAD5BS.WT004-L3	6418677702754	White, 0.4 m, with L3 connection	84.6 g	50
NAD5BS.WT010	6418677703973	White, 1.0 m	177.7 g	50
NAD5BS.WT010-L1	6418677704017	White, 1.0 m, with L1 connection	163 g	50
NAD5BS.WT010-L2	6418677704024	White, 1.0 m, with L2 connection	163 g	50
NAD5BS.WT010-L3	6418677704031	White, 1.0 m, with L3 connection	163 g	50



T-blocks with wires and cables

Product code	GTIN	Description	Weight	Package
NAD5BS.WT025	6418677720642	White, 2.5 m	394.5 g	10
NAD5BS.WT025-L1	6418677709456	White, 2.5 m, with L1 connection	300 g	10
NAD5BS.WT025-L2	6418677709463	White, 2.5 m, with L2 connection	300 g	10
NAD5BS.WT025-L3	6418677709470	White, 2.5 m, with L3 connection	300 g	10
NAD5BS.BT025-L1	6418677709876	Black, 2.5 m, with L1 connection	307 g	10
NAD5BS.BT025-L2	6418677709883	Black, 2.5 m, with L2 connection	307 g	10
NAD5BS.BT025-L3	6418677709890	Black, 2.5 m, with L3 connection	307 g	10
NBD5BS.ST004	6418677723476	Blue, 0.4 m	94 g	30
NCD5BS.GT005	6418677723957	Grey, 0.5 m	104 g	50
NCD5BS.GT010	6418677715280	Grey, 1.0 m	177.7 g	50
NCD5BS.GT025	6418677715297	Grey, 2.5 m	394.5 g	10



Connecting boxes

Five-pole EnstoNet connecting box

The product can be used to connect the operating voltage and the control signal to the lighting fixture. The connecting wires are 250 mm in length.

Product code	GTIN	Description	Weight	Package
NGJDM532	6418677116254	White/blue (1, PE, N, A, B)	119 g	10



Six-pole EnstoNet connecting box

The product can be used to connect the operating voltage and the control signal to the lighting fixture. The NGJDM633M T connector is equipped with a sixth permanent live wire for emergency lights. The connecting wires are 250 mm in length.

Product code	GTIN	Description	Weight	Package
NGJDM633	6418677116209	White/blue (1, PE, N, A, B, C)	129.0 g	10
NGJDM633M	6418677709395	White/blue (1, PE, N, A, B, C), with A connection	129.0 g	10



Six-pole EnstoNet connecting box with a cable

The product can be used to connect the operating voltage and the control signal to the lighting fixture. The T connector is equipped with a 0.4 m cable outlet and comes with two cable options. The five-pole cable is used for power supply and the two 1.0 mm² wires are used for control signals. In the other version, the six-pole cable has an additional wire for emergency lights.

Product code	GTIN	Description	Weight	Package
NGJDM633S	6418677709401	White/blue 1, PE, N, A, B (black), C (red)	129.0 g	10
NGJDM633SM	6418677709418	White/blue (1, PE, N, A, B, C), with A connection	129.0 g	10



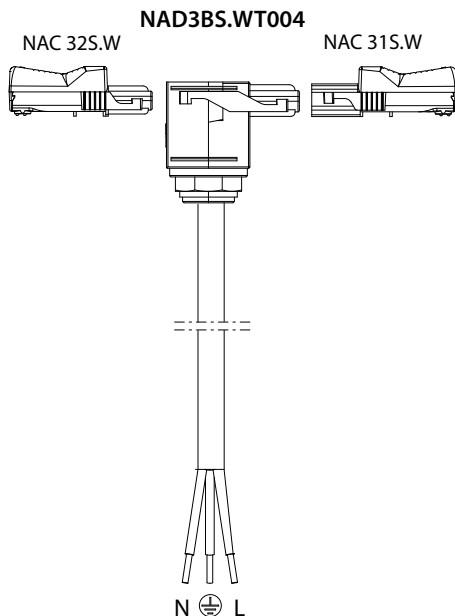
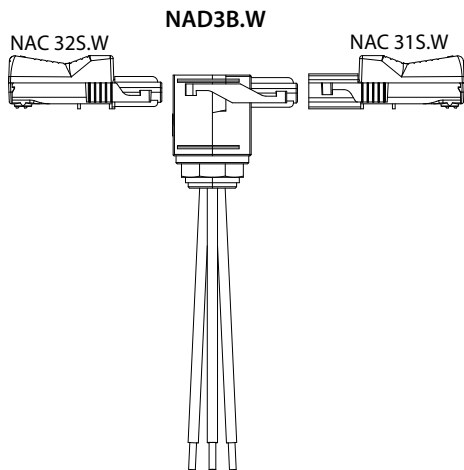
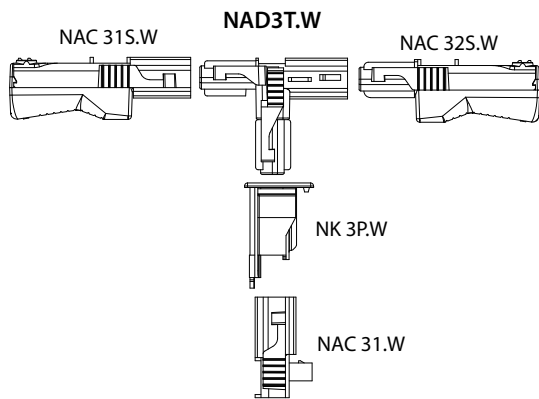
Six-pole EnstoNet connecting box with emergency light connectivity

The product can be used to connect the operating voltage, emergency light's voltage and the control signal to the lighting fixture. The connecting wires are 250 mm in length.

Product code	GTIN	Description	Weight	Package
NGJDM642	6418677116308	White/blue (1, PE, N, 2, A, B)	129.0 g	10



Connection chart for T-distributors



T-distributors

TYPE	IN	PCS	OUT	PCS	DEVICE CONNECTION
NAD3T.W	NAC325.W	1	NAC315.W	1	NAC31.W + NK3P.W
NAD3T.B	NAC325.B	1	NAC315.B	1	NAC31.B + NK3P.B
NBD3T.S	NBC325.S	1	NBC315.S	1	NBC31.S + NK3P.S
NCD3T.G	NCC325.G	1	NCC315.G	1	NCC31.G + NK3P.G
NCD3T.P	NCC325.P	1	NCC315.P	1	NCC31.P + NK3P.P
NAD3TH3.W	NAC325.W	1	NAC315.W	1	NAC31H.W + NK3PF.W
NAD3TH3.B	NAC325.B	1	NAC315.B	1	NAC31H.B + NK3PF.B
NCD3TH3.G	NCC325.G	1	NCC315.G	1	NCC31H.G + NK3PF.G
NCD3TH3.P	NCC325.P	1	NCC315.P	1	NCC31H.P + NK3PF.P
NAD4T.W	NAC425.W	1	NAC415.W	1	NAC41.W + NK4P.W
NAD4TH3.W	NAC425.W	1	NAC415.W	1	NAC41H.W + NK4PF.W
NAD5T.W	NAC525.W	1	NAC515.W	1	NAC51.W + NK5P.W
NAD5T.B	NAC525.B	1	NAC515.B	1	NAC51.B + NK5P.B
NCD5T.G	NCC525.G	1	NCC515.G	1	NCC51.G + NK5P.G
NCD5T.P	NCC525.P	1	NCC515.P	1	NCC51.P + NK5P.P

T-distributors with wires

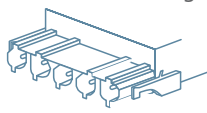
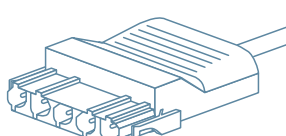
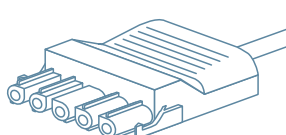


TYPE	IN	PCS	OUT	PCS	DEVICE CONNECTION
NAD3B.W	NAC325.W	1	NAC315.W	1	WITH WIRES
NAD3B.B	NAC325.B	1	NAC315.B	1	WITH WIRES
NBD3B.S	NBC325.S	1	NBC315.S	1	WITH WIRES
NCD3B.G	NCC325.G	1	NCC315.G	1	WITH WIRES
NCD3B.P	NCC325.P	1	NCC315.P	1	WITH WIRES
NAD5B.W	NAC525.W	1	NAC515.W	1	WITH WIRES
NAD5B.W-L1	NAC525.W	1	NAC515.W	1	WITH WIRES
NAD5B.W-L2	NAC525.W	1	NAC515.W	1	WITH WIRES
NAD5B.W-L3	NAC525.W	1	NAC515.W	1	WITH WIRES
NBD5B.S	NBC525.S	1	NBC515.S	1	WITH WIRES
NBD5B.S-L1	NBC525.S	1	NBC515.S	1	WITH WIRES
NBD5B.S-L2	NBC525.S	1	NBC515.S	1	WITH WIRES
NBD5B.S-L3	NBC525.S	1	NBC515.S	1	WITH WIRES
NCD5B.G	NCC525.G	1	NCC515.G	1	WITH WIRES

T-distributors with cables

TYPE	IN	PCS	OUT	PCS	DEVICE CONNECTION
NAD3BS.WT004	NAC325.W	1	NAC315.W	1	CABLE
NAD3BS.WT010	NAC325.W	1	NAC315.W	1	CABLE
NAD3BS.WT025	NAC325.W	1	NAC315.W	1	CABLE
NAD5BS.WT004	NAC525.W	1	NAC515.W	1	CABLE
NAD5BS.WT004-L1	NAC525.W	1	NAC515.W	1	CABLE
NAD5BS.WT004-L2	NAC525.W	1	NAC515.W	1	CABLE
NAD5BS.WT004-L3	NAC525.W	1	NAC515.W	1	CABLE
NAD5BS.WT010	NAC525.W	1	NAC515.W	1	CABLE
NAD5BS.WT010-L1	NAC525.W	1	NAC515.W	1	CABLE
NAD5BS.WT010-L2	NAC525.W	1	NAC515.W	1	CABLE
NAD5BS.WT010-L3	NAC525.W	1	NAC515.W	1	CABLE
NAD5BS.WT025	NAC525.W	1	NAC515.W	1	CABLE
NAD5BS.WT025-L1	NAC525.W	1	NAC515.W	1	CABLE
NAD5BS.WT025-L2	NAC525.W	1	NAC515.W	1	CABLE
NAD5BS.WT025-L3	NAC525.W	1	NAC515.W	1	CABLE
NAD5BS.BT025-L1	NAC525.B	1	NAC515.B	1	CABLE
NAD5BS.BT025-L2	NAC525.B	1	NAC515.B	1	CABLE
NAD5BS.BT025-L3	NAC525.B	1	NAC515.B	1	CABLE

Code key

Mechanical code key for the EnstoNet cable sets

N A L 3 3 0 M 1 5 0 1 0 B														
N													N = product group (Net)	
	A B C												A = standard coding B = second mechanical coding C = third mechanical coding	mechanical coding 
		L											L = lead	
			1 2 3 4 5										1 = stripped, no coupler 2 = 2-pole plug coupler 3 = 3-pole plug coupler 4 = 4-pole plug coupler 5 = 5-pole plug coupler	Lead's plug end 
				1 2 3 4 5									1 = stripped, no coupler 2 = 2-pole socket coupler 3 = 3-pole socket coupler 4 = 4-pole socket coupler 5 = 5-pole socket coupler	Lead's socket end 
					0 1 2 3								0 = all phases connected 1 = L1 connection 2 = L2 connection 3 = L3 connection	connection
						M T W							M = H05VV-F = PVC T = H05Z1Z1-F (halogen free) W = H05Z1A7Z1-F (halogen free), shielded)	cable type
							07 1 2	5 5					07 = 0.75 mm ² 15 = 1.5 mm ² 25 = 2.5 mm ²	cross-section 
									0 0 1	1 1 2	0 5 0	010 = 1 metre 015 = 1.5 metres 120 = 12 metres	length of the prefabricated lead 	
													B = black ■ G = grey ■ S = blue ■	colour of the coupler

EnstoNet lead sets, halogen free

Prefabricated leads are at the heart of the installation system. They can help you to reduce time spent on on-site work, avoid installation mistakes, and minimise waste from the stripping of cables. We offer an extensive range of standard lengths, from half a metre to ten metres.

NOTE. Thanks to our flexible production operations, you can receive customised cables almost as quickly as our standard stock.

- Lead sets with white couplers are recommended for power supply to lighting systems, sockets and other devices.
- Leads with black couplers are best-suited for use in secured power supply networks.
- Leads with blue couplers are recommended for 230 V control applications and installation of switches and Switch boxes.
- Leads with grey couplers are recommended for bus control applications and other low voltage circuits.

The five-pole connector offers combined power supply and bus control.

Halogen-free 2x1.5mm²/plug coupler NCC21S.G/Socket coupler NCC22S.G

Product code	GTIN	Description	Weight
NCL220T15010G	6418677683169	Grey, 1.0 m	0.1341
NCL220T15020G	6418677683176	Grey, 2.0 m	0.2441
NCL220T15030G	6418677683183	Grey, 3.0 m	0.3541
NCL220T15040G	6418677683190	Grey, 4.0 m	0.4641
NCL220T15050G	6418677683206	Grey, 5.0 m	0.5741
NCL220T15060G	6418677683213	Grey, 6.0 m	0.6841
NCL220T15080G	6418677683220	Grey, 8.0 m	0.9041
NCL220T15100G	6418677683237	Grey, 10.0 m	1.1241



Halogen-free 2x1.5mm²/plug coupler NCC21S.G/free end

Product code	GTIN	Description	Weight
NCL210T15010G	6418677687372	Grey, 1.0 m	0.1118
NCL210T15020G	6418677687389	Grey, 2.0 m	0.2118
NCL210T15030G	6418677687396	Grey, 3.0 m	0.3118
NCL210T15040G	6418677687402	Grey, 4.0 m	0.4118
NCL210T15050G	6418677687419	Grey, 5.0 m	0.5118
NCL210T15060G	6418677687426	Grey, 6.0 m	0.6118
NCL210T15080G	6418677687433	Grey, 8.0 m	0.8118
NCL210T15100G	6418677687440	Grey, 10.0 m	1.0118



Halogen-free 2x1.5mm²/socket coupler NCC22S.G/free end

Product code	GTIN	Description	Weight
NCL120T15010G	6418677687457	Grey, 1.0 m	0.1123
NCL120T15020G	6418677687464	Grey, 2.0 m	0.2123
NCL120T15030G	6418677687471	Grey, 3.0 m	0.3123
NCL120T15040G	6418677687488	Grey, 4.0 m	0.4123
NCL120T15050G	6418677687495	Grey, 5.0 m	0.5123
NCL120T15060G	6418677687501	Grey, 6.0 m	0.6123
NCL120T15080G	6418677687518	Grey, 8.0 m	0.8123
NCL120T15100G	6418677687525	Grey, 10.0 m	1.0123



Halogen-free 3x1.5 mm²/plug coupler NAC31S.W/socket coupler NAC32S.W

Product code	GTIN	Description	Weight
NAL330T15010	6418677707018	White, 1.0 m	151 g
NAL330T15020	6418677707032	White, 2.0 m	261 g
NAL330T15030	6418677707056	White, 3.0 m	371 g
NAL330T15040	6418677701641	White, 4.0 m	481 g
NAL330T15050	6418677701658	White, 5.0 m	591 g
NAL330T15060	6418677701665	White, 6.0 m	701 g
NAL330T15080	6418677703065	White, 8.0 m	921 g
NAL330T15100	6418677703072	White, 10.0 m	1,141 g



Halogen-free 3x1.5 mm²/plug coupler NAC31S.W/free end

Product code	GTIN	Description	Weight
NAL310T15010	6418677706868	White, 1.0 m	126 g
NAL310T15020	6418677706882	White, 2.0 m	236 g
NAL310T15030	6418677706905	White, 3.0 m	346 g
NAL310T15040	6418677706912	White, 4.0 m	456 g
NAL310T15050	6418677706929	White, 5.0 m	566 g
NAL310T15060	6418677705205	White, 6.0 m	676 g
NAL310T15080	6418677711077	White, 8.0 m	896 g
NAL310T15100	6418677723209	White, 10.0 m	1,116 g



Halogen-free 3x1.5 mm²/socket coupler NAC32S.W/free end

Product code	GTIN	Description	Weight
NAL130T15010	6418677718199	White, 1.0 m	102 g
NAL130T15020	6418677706639	White, 2.0 m	220 g
NAL130T15030	6418677722202	White, 3.0 m	347 g
NAL130T15040	6418677706646	White, 4.0 m	440 g
NAL130T15050	6418677718205	White, 5.0 m	545 g
NAL130T15060	6418677708930	White, 6.0 m	653 g
NAL130T15080	6418677706660	White, 8.0 m	949 g
NAL130T15100	6418677723797	White, 10.0 m	1,125 g



EnstoNet lead sets, halogen free

Halogen-free 3x2.5 mm²/plug coupler NAC31S.W/socket coupler NAC32S.W

Product code	GTIN	Description	Weight
NAL330T25010	6418677703089	White, 1.0 m	173 g
NAL330T25020	6418677703102	White, 2.0 m	305 g
NAL330T25030	6418677703126	White, 3.0 m	437 g
NAL330T25040	6418677703133	White, 4.0 m	569 g
NAL330T25050	6418677703140	White, 5.0 m	701 g
NAL330T25060	6418677703157	White, 6.0 m	833 g
NAL330T25080	6418677703164	White, 8.0 m	1,097 g
NAL330T25100	6418677703171	White, 10.0 m	1,361 g



Halogen-free 3x1.5 mm²/plug coupler NAC31S.W/free end

Product code	GTIN	Description	Weight
NAL310T25005	6418677681608	White, 0.5 m	82 g
NAL310T25010	6418677703409	White, 1.0 m	148 g
NAL310T25015	6418677702594	White, 1.5 m	214 g
NAL310T25020	6418677703416	White, 2.0 m	280 g
NAL310T25025	6418677703423	White, 2.5 m	346 g
NAL310T25030	6418677703522	White, 3.0 m	412 g
NAL310T25040	6418677703539	White, 4.0 m	544 g
NAL310T25050	6418677703546	White, 5.0 m	676 g
NAL310T25060	6418677708633	White, 6.0 m	808 g
NAL310T25080	6418677718212	White, 8.0 m	1,072 g
NAL310T25100	6418677723193	White, 10.0 m	1,336 g



Halogen-free 3x1.5 mm²/socket coupler NAC32S.W/free end

Product code	GTIN	Description	Weight
NAL130T25010	6418677718229	White, 1.0 m	157 g
NAL130T25020	6418677703577	White, 2.0 m	281 g
NAL130T25030	6418677718236	White, 3.0 m	413 g
NAL130T25040	6418677703584	White, 4.0 m	545 g
NAL130T25050	6418677718243	White, 5.0 m	677 g
NAL130T25060	6418677708640	White, 6.0 m	653 g
NAL130T25080	6418677706677	White, 8.0 m	1,081 g
NAL130T25100	6418677682520	White, 10.0 m	1,345 g



Halogen-free 3x1.5 mm², plug coupler NAC31S.B/socket coupler NAC32S.B

Product code	GTIN	Description	Weight
NAL330T15010B	6418677709579	Black, 1.0 m	151 g
NAL330T15020B	6418677704093	Black, 2.0 m	261 g
NAL330T15030B	6418677704109	Black, 3.0 m	371 g
NAL330T15040B	6418677711435	Black, 4.0 m	481 g
NAL330T15050B	6418677704116	Black, 5.0 m	591 g
NAL330T15060B	6418677709586	Black, 6.0 m	701 g
NAL330T15080B	6418677718335	Black, 8.0 m	921 g
NAL330T15100B	6418677718342	Black, 10.0 m	1,141 g



EnstoNet lead sets, halogen free

Halogen-free 3x1.5 mm², plug coupler NAC31S.B/free end

Product code	GTIN	Description	Weight
NAL310T15010B	6418677718359	Black, 1.0 m	126 g
NAL310T15020B	6418677704123	Black, 2.0 m	236 g
NAL310T15030B	6418677704130	Black, 3.0 m	346 g
NAL310T15040B	6418677711008	Black, 4.0 m	456 g
NAL310T15050B	6418677709593	Black, 5.0 m	566 g
NAL310T15060B	6418677704147	Black, 6.0 m	676 g
NAL310T15080B	6418677718366	Black, 8.0 m	896 g



Halogen-free 3x1.5 mm², socket coupler NAC32S.B/free end

Product code	GTIN	Description	Weight
NAL130T15010B	6418677721281	Black, 1.0 m	102 g
NAL130T15020B	6418677711015	Black, 2.0 m	220 g
NAL130T15030B	6418677711022	Black, 3.0 m	347 g
NAL130T15040B	6418677718373	Black, 4.0 m	440 g
NAL130T15050B	6418677706653	Black, 5.0 m	545 g
NAL130T15060B	6418677718380	Black, 6.0 m	653 g
NAL130T15080B	6418677718397	Black, 8.0 m	949 g



Halogen-free 3x2.5 mm²/plug coupler NAC31S.B/socket coupler NAC32S.B

Product code	GTIN	Description	Weight
NAL330T25010B	6418677704161	Black, 1.0 m	173 g
NAL330T25020B	6418677709609	Black, 2.0 m	305 g
NAL330T25030B	6418677704178	Black, 3.0 m	437 g
NAL330T25040B	6418677709616	Black, 4.0 m	569 g
NAL330T25050B	6418677704185	Black, 5.0 m	701 g
NAL330T25060B	6418677718403	Black, 6.0 m	833 g
NAL330T25080B	6418677718410	Black, 8.0 m	1,097 g
NAL330T25100B	6418677718427	Black, 10.0 m	1,361 g



Halogen-free 3x2.5 mm²/plug coupler NAC31S.B/free end

Product code	GTIN	Description	Weight
NAL310T25010B	6418677704192	Black, 1.0 m	148 g
NAL310T25020B	6418677709623	Black, 2.0 m	280 g
NAL310T25030B	6418677704208	Black, 3.0 m	412 g
NAL310T25040B	6418677718434	Black, 4.0 m	544 g
NAL310T25050B	6418677711442	Black, 5.0 m	676 g
NAL310T25060B	6418677711039	Black, 6.0 m	808 g
NAL310T25080B	6418677718441	Black, 8.0 m	1,072 g



EnstoNet lead sets, halogen free

Halogen-free 3x2.5 mm²/socket coupler NAC32S.B/free end

Product code	GTIN	Description	Weight
NAL130T25010B	6418677722356	Black, 1.0 m	157 g
NAL130T25020B	6418677715181	Black, 2.0 m	281 g
NAL130T25030B	6418677715198	Black, 3.0 m	413 g
NAL130T25040B	6418677722363	Black, 4.0 m	545 g
NAL130T25050B	6418677704215	Black, 5.0 m	677 g
NAL130T25060B	6418677722004	Black, 6.0 m	653 g
NAL130T25080B	6418677722370	Black, 8.0 m	1,081 g



Halogen-free 5x1.5 mm/plug coupler NAC51S.W/socket coupler NAC52S.W

Product code	GTIN	Description	Weight
NAL550T15010	6418677703188	White, 1.0 m	195 g
NAL550T15020	6418677703195	White, 2.0 m	347 g
NAL550T15030	6418677703201	White, 3.0 m	499 g
NAL550T15040	6418677703218	White, 4.0 m	651 g
NAL550T15050	6418677703225	White, 5.0 m	803 g
NAL550T15060	6418677703232	White, 6.0 m	955 g
NAL550T15080	6418677703249	White, 8.0 m	1,259 g
NAL550T15100	6418677703256	White, 10.0 m	1,563 g



Halogen-free 5x1.5 mm²/plug coupler NAC51S.W/free end

Product code	GTIN	Description	Weight
NAL510T15010	6418677720086	White, 1.0 m	169 g
NAL510T15020	6418677703904	White, 2.0 m	321 g
NAL510T15030	6418677708664	White, 3.0 m	473 g
NAL510T15040	6418677703713	White, 4.0 m	625 g
NAL510T15050	6418677708688	White, 5.0 m	777 g
NAL510T15060	6418677708695	White, 6.0 m	929 g
NAL510T15080	6418677714863	White, 8.0 m	1,233 g
NAL510T15100	6418677682599	White, 10.0 m	1,537 g



Halogen-free 5x1.5 mm², socket coupler NAC52S.W/free end

Product code	GTIN	Description	Weight
NAL150T15010	6418677718274	White, 1.0 m	195 g
NAL150T15020	6418677703911	White, 2.0 m	330 g
NAL150T15030	6418677718281	White, 3.0 m	482 g
NAL150T15040	6418677703928	White, 4.0 m	634 g
NAL150T15050	6418677718298	White, 5.0 m	786 g
NAL150T15060	6418677710988	White, 6.0 m	938 g
NAL150T15080	6418677706721	White, 8.0 m	1,242 g
NAL150T15100	6418677682551	White, 10.0 m	1,546 g



EnstoNet lead sets, halogen free

Halogen-free 3x1.5 mm²/5-pole plug coupler NAC51S.W/one phase connected, free end

Product code	GTIN	Description	Weight
NAL511T15010	6418677721373	White, 1.0 m, with L1 connection	274 g
NAL512T15010	6418677721519	White, 1.0 m, with L2 connection	274 g
NAL513T15010	6418677721649	White, 1.0 m, with L3 connection	274 g
NAL511T15020	6418677721380	White, 2.0 m, with L1 connection	531 g
NAL512T15020	6418677721526	White, 2.0 m, with L2 connection	531 g
NAL513T15020	6418677721656	White, 2.0 m, with L3 connection	531 g
NAL511T15030	6418677721397	White, 3.0 m, with L1 connection	788 g
NAL512T15030	6418677721533	White, 3.0 m, with L2 connection	788 g
NAL513T15030	6418677721663	White, 3.0 m, with L3 connection	788 g
NAL511T15040	6418677721403	White, 4.0 m, with L1 connection	1,045 g
NAL512T15040	6418677721984	White, 4.0 m, with L2 connection	1,045 g
NAL513T15040	6418677721670	White, 4.0 m, with L3 connection	1,045 g
NAL511T15050	6418677721410	White, 5.0 m, with L1 connection	1,302 g
NAL512T15050	6418677721540	White, 5.0 m, with L2 connection	1,302 g
NAL513T15050	6418677721687	White, 5.0 m, with L3 connection	1,302 g



Halogen-free 5x2.5 mm²/plug coupler NAC51S.W/socket coupler NAC52S.W

Product code	GTIN	Description	Weight
NAL550T25010	6418677703263	White, 1.0 m	247 g
NAL550T25020	6418677703270	White, 2.0 m	451 g
NAL550T25030	6418677703287	White, 3.0 m	655 g
NAL550T25040	6418677703294	White, 4.0 m	859 g
NAL550T25050	6418677703300	White, 5.0 m	1,063 g
NAL550T25060	6418677703317	White, 6.0 m	1,267 g
NAL550T25080	6418677703324	White, 8.0 m	1,675 g
NAL550T25100	6418677703331	White, 10.0 m	2,083 g



EnstoNet lead sets, halogen free

Halogen-free 5x2.5 mm²/plug coupler NAC51S.W/free end

Product code	GTIN	Description	Weight
NAL510T25010	6418677706097	White, 1.0 m	221 g
NAL510T25020	6418677715020	White, 2.0 m	425 g
NAL510T25030	6418677708718	White, 3.0 m	629 g
NAL510T25040	6418677707360	White, 4.0 m	833 g
NAL510T25050	6418677704260	White, 5.0 m	1,037 g
NAL510T25060	6418677707377	White, 6.0 m	1,241 g
NAL510T25080	6418677714870	White, 8.0 m	1,649 g
NAL510T25100	6418677682605	White, 10.0 m	2,057 g



Halogen-free 5x2.5 mm²/socket coupler NAC52S.W/free end

Product code	GTIN	Description	Weight
NAL150T25010	6418677706738	White, 1.0 m	230 g
NAL150T25020	6418677703959	White, 2.0 m	434 g
NAL150T25030	6418677718311	White, 3.0 m	638 g
NAL150T25040	6418677703966	White, 4.0 m	842 g
NAL150T25050	6418677718328	White, 5.0 m	1,046 g
NAL150T25060	6418677710995	White, 6.0 m	1,250 g
NAL150T25080	6418677706745	White, 8.0 m	1,658 g
NAL150T25100	6418677682568	White, 10.0 m	2,066 g



Halogen-free 3x2.5 mm²/5-pole plug coupler NAC51S.W/one phase connected, free end

Product code	GTIN	Description	Weight
NAL511T25010	6418677721427	White, 1.0 m, with L1 connection	343 g
NAL512T25010	6418677721557	White, 1.0 m, with L2 connection	343 g
NAL513T25010	6418677721694	White, 1.0 m, with L3 connection	343 g
NAL511T25020	6418677702600	White, 2.0 m, with L1 connection	669 g
NAL512T25020	6418677702617	White, 2.0 m, with L2 connection	669 g
NAL513T25020	6418677702624	White, 2.0 m, with L3 connection	669 g
NAL511T25030	6418677721434	White, 3.0 m, with L1 connection	995 g
NAL512T25030	6418677721564	White, 3.0 m, with L2 connection	995 g
NAL513T25030	6418677721700	White, 3.0 m, with L3 connection	995 g
NAL511T25040	6418677702631	White, 4.0 m, with L1 connection	1,321 g
NAL512T25040	6418677702648	White, 4.0 m, with L2 connection	1,321 g
NAL513T25040	6418677702655	White, 4.0 m, with L3 connection	1,321 g
NAL511T25050	6418677721441	White, 5.0 m, with L1 connection	1,647 g
NAL512T25050	6418677721571	White, 5.0 m, with L2 connection	1,647 g
NAL513T25050	6418677721717	White, 5.0 m, with L3 connection	1,647 g



Halogen-free 5x1.5 mm², plug coupler NAC51S.B/socket coupler NAC52S.B

Product code	GTIN	Description	Weight
NAL550T15010B	6418677709630	Black, 1.0 m	195 g
NAL550T15020B	6418677709647	Black, 2.0 m	347 g
NAL550T15030B	6418677709654	Black, 3.0 m	499 g
NAL550T15040B	6418677709661	Black, 4.0 m	651 g
NAL550T15050B	6418677709678	Black, 5.0 m	803 g
NAL550T15060B	6418677709685	Black, 6.0 m	955 g
NAL550T15080B	6418677709692	Black, 8.0 m	1,259 g
NAL550T15100B	6418677709708	Black, 10.0 m	1,563 g



EnstoNet lead sets, halogen free

Halogen-free 5x1.5 mm², plug coupler NAC51S.B/free end

Product code	GTIN	Description	Weight
NAL510T15010B	6418677709715	Black, 1.0 m	169 g
NAL510T15020B	6418677709722	Black, 2.0 m	321 g
NAL510T15030B	6418677709739	Black, 3.0 m	473 g
NAL510T15040B	6418677709746	Black, 4.0 m	625 g
NAL510T15050B	6418677709753	Black, 5.0 m	777 g
NAL510T15060B	6418677709760	Black, 6.0 m	929 g
NAL510T15080B	6418677711046	Black, 8.0 m	1,233 g



Halogen-free 5x1.5 mm², socket coupler NAC52S.B/free end

Product code	GTIN	Description	Weight
NAL150T15010B	6418677718489	Black, 1.0 m	195 g
NAL150T15020B	6418677709777	Black, 2.0 m	330 g
NAL150T15030B	6418677718496	Black, 3.0 m	482 g
NAL150T15040B	6418677709784	Black, 4.0 m	634 g
NAL150T15050B	6418677718502	Black, 5.0 m	786 g
NAL150T15060B	6418677709791	Black, 6.0 m	938 g
NAL150T15080B	6418677711053	Black, 8.0 m	1,242 g



Halogen-free 5x2.5 mm², plug coupler NAC51S.B/socket coupler NAC52S.B

Product code	GTIN	Description	Weight
NAL550T25010B	6418677705328	Black, 1.0 m	247 g
NAL550T25020B	6418677704222	Black, 2.0 m	451 g
NAL550T25030B	6418677704239	Black, 3.0 m	655 g
NAL550T25040B	6418677706271	Black, 4.0 m	859 g
NAL550T25050B	6418677709807	Black, 5.0 m	1,063 g
NAL550T25060B	6418677704246	Black, 6.0 m	1,267 g
NAL550T25080B	6418677708343	Black, 8.0 m	1,675 g
NAL550T25100B	6418677711466	Black, 10.0 m	2,083 g



Halogen-free 5x2.5 mm², plug coupler NAC51S.B/free end

Product code	GTIN	Description	Weight
NAL510T25010B	6418677718519	Black, 1.0 m	221 g
NAL510T25020B	6418677711473	Black, 2.0 m	425 g
NAL510T25030B	6418677704253	Black, 3.0 m	629 g
NAL510T25040B	6418677709814	Black, 4.0 m	833 g
NAL510T25050B	6418677709821	Black, 5.0 m	1,037 g
NAL510T25060B	6418677709838	Black, 6.0 m	1,241 g
NAL510T25080B	6418677711060	Black, 8.0 m	1,649 g



Halogen-free 5x2.5 mm², socket coupler NAC52S.B/free end

Product code	GTIN	Description	Weight
NAL150T25010B	6418677718526	Black, 1.0 m	230 g
NAL150T25020B	6418677709845	Black, 2.0 m	434 g
NAL150T25030B	6418677718533	Black, 3.0 m	638 g
NAL150T25040B	6418677709852	Black, 4.0 m	842 g
NAL150T25050B	6418677715044	Black, 5.0 m	1,046 g
NAL150T25060B	6418677709869	Black, 6.0 m	1,250 g
NAL150T25080B	6418677721304	Black, 8.0 m	1,658 g



EnstoNet lead sets, halogen free

Halogen-free 5x1.5 mm², plug coupler NBC51S.S/socket coupler NBC52S.S

Product code	GTIN	Description	Weight
NBL550T15020S	6418677707803	Blue, 2.0 m	347 g
NBL550T15030S	6418677707810	Blue, 3.0 m	499 g
NBL550T15040S	6418677715303	Blue, 4.0 m	651 g
NBL550T15050S	6418677707827	Blue, 5.0 m	803 g
NBL550T15060S	6418677709166	Blue, 6.0 m	955 g
NBL550T15080S	6418677680090	Blue, 8.0 m	1,259 g
NBL550T15100S	6418677680106	Blue, 10.0 m	1,563 g



Halogen-free 5x1.5 mm², plug coupler NBC51S.S/free end

Product code	GTIN	Description	Weight
NBL510T15010S	6418677707780	Blue, 1.0 m	169 g
NBL510T15020S	6418677710247	Blue, 2.0 m	321 g
NBL510T15030S	6418677721946	Blue, 3.0 m	473 g
NBL510T15040S	6418677710254	Blue, 4.0 m	625 g
NBL510T15050S	6418677722233	Blue, 5.0 m	777 g
NBL510T15060S	6418677722240	Blue, 6.0 m	929 g
NBL510T15080S	6418677682827	Blue, 8.0 m	1,233 g



Halogen-free 5x1.5 mm², socket coupler NBC52S.S/free end

Product code	GTIN	Description	Weight
NBL150T15010S	6418677710261	Blue, 1.0 m	195 g
NBL150T15020S	6418677714917	Blue, 2.0 m	330 g
NBL150T15030S	6418677722257	Blue, 3.0 m	482 g
NBL150T15040S	6418677707728	Blue, 4.0 m	634 g
NBL150T15050S	6418677722264	Blue, 5.0 m	786 g
NBL150T15060S	6418677722271	Blue, 6.0 m	938 g
NBL150T15080S	6418677683862	Blue, 8.0 m	1,242 g



Halogen-free 5x2.5 mm², plug coupler NBC51S.S/socket coupler NBC52S.S

Product code	GTIN	Description	Weight
NBL550T25020S	6418677707834	Blue, 2.0 m	451 g
NBL550T25030S	6418677707841	Blue, 3.0 m	655 g
NBL550T25040S	6418677722288	Blue, 4.0 m	859 g
NBL550T25050S	6418677707858	Blue, 5.0 m	1,063 g
NBL550T25060S	6418677722295	Blue, 6.0 m	1,267 g
NBL550T25080S	6418677728495	Blue, 8.0 m	1,675 g



Halogen-free 5x2.5 mm², plug coupler NBC51S.S/free end

Product code	GTIN	Description	Weight
NBL510T25010S	6418677707797	Blue, 1.0 m	221 g
NBL510T25020S	6418677721953	Blue, 2.0 m	425 g
NBL510T25030S	6418677721960	Blue, 3.0 m	629 g
NBL510T25040S	6418677721977	Blue, 4.0 m	833 g
NBL510T25050S	6418677722301	Blue, 5.0 m	1,037 g
NBL510T25060S	6418677722318	Blue, 6.0 m	1,241 g
NBL510T25080S	6418677683879	Blue, 8.0 m	1,649 g



EnstoNet lead sets, halogen free

Halogen-free 5x2.5 mm², socket coupler NBC52S.S/free end

Product code	GTIN	Description	Weight
NBL150T25010S	6418677721724	Blue, 1.0 m	230 g
NBL150T25020S	6418677721731	Blue, 2.0 m	434 g
NBL150T25030S	6418677722325	Blue, 3.0 m	638 g
NBL150T25040S	641867770773	Blue, 4.0 m	842 g
NBL150T25050S	6418677722332	Blue, 5.0 m	1,046 g
NBL150T25060S	6418677722349	Blue, 6.0 m	1,250 g
NBL150T25080S	6418677683886	Blue, 8.0 m	1,658 g



Halogen-free 5x1.5 mm², plug coupler NCC51S.G/socket coupler NCC52S.G

Product code	GTIN	Description	Weight
NCL550T15010G	6418677681141	Grey, 1.0 m	195 g
NCL550T15020G	6418677708008	Grey, 2.0 m	347 g
NCL550T15030G	6418677708015	Grey, 3.0 m	499 g
NCL550T15040G	6418677708022	Grey, 4.0 m	651 g
NCL550T15050G	6418677708305	Grey, 5.0 m	803 g
NCL550T15060G	6418677708039	Grey, 6.0 m	955 g
NCL550T15080G	6418677708046	Grey, 8.0 m	1,259 g
NCL550T15100G	6418677711480	Grey, 10.0 m	1,563 g



Halogen-free 5x1.5 mm², plug coupler NCC51S.G/free end

Product code	GTIN	Description	Weight
NCL510T15010G	6418677707971	Grey, 1.0 m	195 g
NCL510T15020G	6418677710278	Grey, 2.0 m	347 g
NCL510T15025G	6418677720215	Grey, 2.5 m	397 g
NCL510T15030G	6418677707988	Grey, 3.0 m	499 g
NCL510T15040G	6418677711497	Grey, 4.0 m	651 g
NCL510T15050G	6418677711503	Grey, 5.0 m	803 g
NCL510T15060G	6418677711510	Grey, 6.0 m	955 g
NCL510T15080G	6418677708299	Grey, 8.0 m	1,259 g



Halogen-free 5x1.5 mm², socket coupler NCC52S.G/free end

Product code	GTIN	Description	Weight
NCL150T15010G	6418677681189	Grey, 1.0 m	195 g
NCL150T15020G	6418677711527	Grey, 2.0 m	330 g
NCL150T15030G	6418677707964	Grey, 3.0 m	482 g
NCL150T15050G	6418677711534	Grey, 5.0 m	786 g
NCL150T15060G	6418677682100	Grey, 6.0 m	938 g
NCL150T15080G	6418677710285	Grey, 8.0 m	1,242 g



Halogen-free 5x2.5 mm², plug coupler NCC51S.G/socket coupler NCC52S.G

Product code	GTIN	Description	Weight
NCL550T25010G	6418677681233	Grey, 1.0 m	247 g
NCL550T25020G	6418677708053	Grey, 2.0 m	451 g
NCL550T25030G	6418677708060	Grey, 3.0 m	655 g
NCL550T25040G	6418677711541	Grey, 4.0 m	859 g
NCL550T25050G	6418677711558	Grey, 5.0 m	1,063 g
NCL550T25060G	6418677718632	Grey, 6.0 m	1,267 g
NCL550T25080G	6418677708077	Grey, 8.0 m	1,675 g
NCL550T25100G	6418677708084	Grey, 10.0 m	2,083 g



EnstoNet lead sets, halogen free

Halogen-free 5x2.5 mm², plug coupler NCC51S.G/free end

Product code	GTIN	Description	Weight
NCL510T25010G	6418677681639	Grey, 1.0 m	221 g
NCL510T25020G	6418677715327	Grey, 2.0 m	425 g
NCL510T25030G	6418677707995	Grey, 3.0 m	629 g
NCL510T25050G	6418677715334	Grey, 5.0 m	1,037 g
NCL510T25060G	6418677722387	Grey, 6.0 m	1,241 g
NCL510T25080G	6418677683893	Grey, 8.0 m	1,649 g



Halogen-free 5x2.5 mm², socket coupler NCC52S.G/free end

Product code	GTIN	Description	Weight
NCL150T25010G	6418677682117	Grey, 1.0 m	230 g
NCL150T25020G	6418677714924	Grey, 2.0 m	434 g
NCL150T25030G	6418677714931	Grey, 3.0 m	638 g
NCL150T25050G	6418677714948	Grey, 5.0 m	1,046 g
NCL150T25060G	6418677722394	Grey, 6.0 m	1,250 g
NCL150T25080G	6418677722462	Grey, 8.0 m	1,658 g



EnstoNet lead sets, PVC

Prefabricated leads are at the heart of the installation system. They can help you to reduce time spent on on-site work, avoid installation mistakes, and minimise waste from the stripping of cables.

We offer an extensive range of standard lengths, from half a metre to ten metres.

Thanks to our flexible production operations, you can receive customised cables almost as quickly as our standard stock.

- Lead sets with white couplers are recommended for power supply to lighting systems, sockets and other devices,
- while leads with black couplers are best-suited for use in secured power supply networks.
- The recommended applications for leads with blue couplers include 230 V control applications and installation of switches and Switch boxes.
- We recommend using the leads with grey couplers in bus control applications and other low voltage circuits. The five-pole connector offers combined power supply and bus control.

MSK 2x1.5 mm², plug coupler NBC21S.S/socket coupler NBC22S.S

Product code	GTIN	Description	Weight
NBL220M15010S	6418677721793	Blue, 1.0 m	112.1 g
NBL220M15020S	6418677721809	Blue, 2.0 m	200.1 g
NBL220M15030S	6418677721816	Blue, 3.0 m	288.1 g
NBL220M15040S	6418677721823	Blue, 4.0 m	376.1 g
NBL220M15050S	6418677721830	Blue, 5.0 m	464.1 g



MSK 2x1.5 mm², plug coupler NBC21S.S/free end

Product code	GTIN	Description	Weight
NBL210M15010S	6418677721748	Blue, 1.0 m	51.8 g
NBL210M15020S	6418677721755	Blue, 2.0 m	91.8 g
NBL210M15030S	6418677721762	Blue, 3.0 m	131.8 g
NBL210M15040S	6418677721779	Blue, 4.0 m	171.8 g
NBL210M15050S	6418677721786	Blue, 5.0 m	211.8 g
NBL210M15060S	6418677729683	Blue, 6.0 m	251.8 g



MSK 3x1.5 mm²/plug coupler NAC31S.W/socket coupler NAC32S.W

Product code	GTIN	Description	Weight
NAL330M15010	6418677115400	White, 1.0 m	141 g
NAL330M15020	6418677115417	White, 2.0 m	241 g
NAL330M15030	6418677115424	White, 3.0 m	341 g
NAL330M15040	6418677115431	White, 4.0 m	441 g
NAL330M15050	6418677115448	White, 5.0 m	541 g
NAL330M15060	6418677115455	White, 6.0 m	641 g
NAL330M15070	641867717383	White, 7.0 m	741 g
NAL330M15080	6418677115462	White, 8.0 m	841 g
NAL330M15100	6418677115479	White, 10.0 m	1,041 g



EnstoNet lead sets, PVC

MSK 3x1.5 mm²/plug coupler NAC31S.W/free end

Product code	GTIN	Description	Weight
NAL310M15010	6418677117213	White, 1.0 m	116 g
NAL310M15020	6418677116032	White, 2.0 m	216 g
NAL310M15030	6418677703645	White, 3.0 m	316 g
NAL310M15040	6418677116049	White, 4.0 m	416 g
NAL310M15050	6418677117237	White, 5.0 m	516 g
NAL310M15060	6418677708527	White, 6.0 m	616 g
NAL310M15070	6418677706851	White, 7.0 m	716 g
NAL310M15080	6418677710490	White, 8.0 m	816 g
NAL310M15100	6418677682575	White, 10.0 m	1,016 g



MSK 3x1.5 mm²/socket coupler NAC32S.W/free end

Product code	GTIN	Description	Weight
NAL130M15010	6418677691102	White, 1.0 m	120 g
NAL130M15020	6418677117299	White, 2.0 m	225 g
NAL130M15030	6418677711299	White, 3.0 m	330 g
NAL130M15040	6418677117305	White, 4.0 m	425 g
NAL130M15050	6418677718045	White, 5.0 m	520 g
NAL130M15060	6418677708534	White, 6.0 m	618 g
NAL130M15080	6418677706615	White, 8.0 m	825 g
NAL130M15100	6418677682506	White, 10.0 m	1,025 g



MSK 3x2.5 mm²/plug coupler NAC31S.W/socket coupler NAC32S.W

Product code	GTIN	Description	Weight
NAL330M25010	6418677115486	White, 1.0 m	188 g
NAL330M25020	6418677115493	White, 2.0 m	335 g
NAL330M25030	6418677115509	White, 3.0 m	482 g
NAL330M25040	6418677115516	White, 4.0 m	629 g
NAL330M25050	6418677115523	White, 5.0 m	776 g
NAL330M25060	6418677115530	White, 6.0 m	923 g
NAL330M25070	641867717406	White, 7.0 m	1,070 g
NAL330M25080	6418677115547	White, 8.0 m	1,217 g
NAL330M25100	6418677115554	White, 10.0 m	1,511 g



EnstoNet lead sets, PVC

MSK 3x2.5 mm²/plug coupler NAC31S.W/free end

Product code	GTIN	Description	Weight
NAL310M25010	6418677117244	White, 1.0 m	163 g
NAL310M25020	6418677117251	White, 2.0 m	310 g
NAL310M25030	6418677117268	White, 3.0 m	457 g
NAL310M25040	6418677117275	White, 4.0 m	604 g
NAL310M25050	6418677117282	White, 5.0 m	751 g
NAL310M25060	6418677708541	White, 6.0 m	898 g
NAL310M25070	6418677711428	White, 7.0 m	1,045 g
NAL310M25080	6418677710506	White, 8.0 m	1,192 g
NAL310M25100	6418677709005	White, 10.0 m	1,486 g



MSK 3x2.5 mm²/socket coupler NAC32S.W/free end

Product code	GTIN	Description	Weight
NAL130M25010	6418677718052	White, 1.0 m	167 g
NAL130M25020	6418677115561	White, 2.0 m	310 g
NAL130M25030	6418677718069	White, 3.0 m	475 g
NAL130M25040	6418677115578	White, 4.0 m	600 g
NAL130M25050	6418677718076	White, 5.0 m	819 g
NAL130M25060	6418677708282	White, 6.0 m	907 g
NAL130M25080	6418677706622	White, 8.0 m	1,201 g
NAL130M25100	6418677682513	White, 10.0 m	1,495 g



EnstoNet lead sets, PVC

MSK 5x1.5 mm²/plug coupler NAC51S.W/socket coupler NAC52S.W

Product code	GTIN	Description	Weight
NAL550M15010	6418677115585	White, 1.0 m	220 g
NAL550M15020	6418677115592	White, 2.0 m	380 g
NAL550M15030	6418677115608	White, 3.0 m	540 g
NAL550M15040	6418677115615	White, 4.0 m	700 g
NAL550M15050	6418677115622	White, 5.0 m	860 g
NAL550M15060	6418677115639	White, 6.0 m	1,020 g
NAL550M15080	6418677115646	White, 8.0 m	1,340 g
NAL550M15100	6418677115653	White, 10.0 m	1,660 g



MSK 5x1.5 mm²/plug coupler NAC51S.W/free end

Product code	GTIN	Description	Weight
NAL510M15010	6418677718083	White, 1.0 m	195 g
NAL510M15020	6418677707339	White, 2.0 m	358 g
NAL510M15030	6418677708565	White, 3.0 m	521 g
NAL510M15040	6418677707346	White, 4.0 m	684 g
NAL510M15050	6418677708572	White, 5.0 m	847 g
NAL510M15060	6418677708589	White, 6.0 m	1,010 g
NAL510M15080	6418677718090	White, 8.0 m	1,336 g
NAL510M15100	6418677682582	White, 10.0 m	1,662 g



MSK 5x1.5 mm²/socket coupler NAC52S.W/free end

Product code	GTIN	Description	Weight
NAL150M15010	6418677717888	White, 1.0 m	140 g
NAL150M15020	6418677715006	White, 2.0 m	303 g
NAL150M15030	6418677708558	White, 3.0 m	466 g
NAL150M15040	6418677714986	White, 4.0 m	629 g
NAL150M15050	6418677718113	White, 5.0 m	792 g
NAL150M15060	6418677718120	White, 6.0 m	955 g
NAL150M15080	6418677706684	White, 8.0 m	1,281 g
NAL150M15100	6418677682537	White, 10.0 m	1,607 g



EnstoNet lead sets, PVC

MSK 3x1.5 mm²/5-pole plug coupler NAC51S.W/one phase connected, free end

Product code	GTIN	Description	Weight
NAL511M15010	6418677719455	White, 1.0 m, with L1 connection	138 g
NAL512M15010	6418677719462	White, 1.0 m, with L2 connection	138 g
NAL513M15010	6418677719479	White, 1.0 m, with L3 connection	138 g
NAL511M15020	6418677721311	White, 2.0 m, with L1 connection	245 g
NAL512M15020	6418677721458	White, 2.0 m, with L2 connection	245 g
NAL513M15020	6418677721588	White, 2.0 m, with L3 connection	245 g
NAL511M15030	6418677721328	White, 3.0 m, with L1 connection	355 g
NAL512M15030	6418677721465	White, 3.0 m, with L2 connection	355 g
NAL513M15030	6418677721595	White, 3.0 m, with L3 connection	355 g
NAL511M15040	6418677721335	White, 4.0 m, with L1 connection	465 g
NAL512M15040	6418677721472	White, 4.0 m, with L2 connection	465 g
NAL513M15040	6418677721601	White, 4.0 m, with L3 connection	465 g
NAL511M15050	6418677721342	White, 5.0 m, with L1 connection	575 g
NAL512M15050	6418677721489	White, 5.0 m, with L2 connection	575 g
NAL513M15050	6418677721618	White, 5.0 m, with L3 connection	575 g



MSK 5x2.5 mm²/plug coupler NAC51S.W/socket coupler NAC52S.W

Product code	GTIN	Description	Weight
NAL550M25010	6418677115660	White, 1.0 m	300 g
NAL550M25020	6418677115677	White, 2.0 m	542 g
NAL550M25030	6418677115684	White, 3.0 m	784 g
NAL550M25040	6418677115707	White, 4.0 m	1,026 g
NAL550M25050	6418677115691	White, 5.0 m	1,268 g
NAL550M25060	6418677115714	White, 6.0 m	1,510 g
NAL550M25080	6418677115721	White, 8.0 m	1,994 g
NAL550M25100	6418677115738	White, 10.0 m	2,478 g



MSK 5x2.5 mm²/plug coupler NAC51S.W/free end

Product code	GTIN	Description	Weight
NAL510M25010	6418677718137	White, 1.0 m	275 g
NAL510M25020	6418677715013	White, 2.0 m	536 g
NAL510M25030	6418677708596	White, 3.0 m	776 g
NAL510M25040	6418677703720	White, 4.0 m	1,026 g
NAL510M25050	6418677715037	White, 5.0 m	1,275 g
NAL510M25060	6418677708619	White, 6.0 m	1,500 g
NAL510M25080	6418677718144	White, 8.0 m	2,017 g
NAL510M25100	6418677722417	White, 10.0 m	2,517 g



MSK 5x2.5 mm²/socket coupler NAC52S.W/free end

Product code	GTIN	Description	Weight
NAL150M25010	6418677721298	White, 1.0 m	276 g
NAL150M25020	6418677703935	White, 2.0 m	526 g
NAL150M25030	6418677719486	White, 3.0 m	735 g
NAL150M25040	6418677719486	White, 4.0 m	1,026 g
NAL150M25050	6418677718168	White, 5.0 m	1,270 g
NAL150M25060	6418677718175	White, 6.0 m	1,526 g
NAL150M25080	6418677706714	White, 8.0 m	2,026 g
NAL150M25100	6418677682544	White, 10.0 m	2,526 g



EnstoNet lead sets, PVC

MSK 3x2.5 mm²/5-pole plug coupler NAC51S.W/one phase connected, free end

Product code	GTIN	Description	Weight
NAL511M25010	6418677721359	White, 1.0 m, with L1 connection	275 g
NAL512M25010	6418677721496	White, 1.0 m, with L2 connection	275 g
NAL513M25010	6418677721625	White, 1.0 m, with L3 connection	275 g
NAL511M25020	6418677115745	White, 2.0 m, with L1 connection	310 g
NAL512M25020	6418677115752	White, 2.0 m, with L2 connection	310 g
NAL513M25020	6418677115769	White, 2.0 m, with L3 connection	310 g
NAL511M25030	6418677721366	White, 3.0 m, with L1 connection	466 g
NAL512M25030	6418677722042	White, 3.0 m, with L2 connection	466 g
NAL513M25030	6418677722059	White, 3.0 m, with L3 connection	466 g
NAL511M25040	6418677115776	White, 4.0 m, with L1 connection	610 g
NAL512M25040	6418677115783	White, 4.0 m, with L2 connection	610 g
NAL513M25040	6418677115790	White, 4.0 m, with L3 connection	610 g
NAL511M25050	6418677719936	White, 5.0 m, with L1 connection	760 g
NAL512M25050	6418677719943	White, 5.0 m, with L2 connection	760 g
NAL513M25050	6418677719950	White, 5.0 m, with L3 connection	760 g



MSK 5x1.5 mm², plug coupler NCC51S.G/socket coupler NCC52S.G

Product code	GTIN	Description	Weight
NCL550M15010G	6418677724831	Grey, 1.0 m	221 g
NCL550M15020G	6418677716270	Grey, 2.0 m	380 g
NCL550M15030G	6418677716287	Grey, 3.0 m	540 g
NCL550M15040G	6418677716294	Grey, 4.0 m	710 g
NCL550M15050G	6418677716300	Grey, 5.0 m	880 g
NCL550M15060G	6418677716317	Grey, 6.0 m	1,040 g
NCL550M15080G	6418677724893	Grey, 8.0 m	1,411 g
NCL550M15100G	6418677724909	Grey, 10.0 m	1,751 g



MSK 5x1.5 mm², plug coupler NCC51S.G/free end

Product code	GTIN	Description	Weight
NCL510M15010G	6418677680557	Grey, 1.0 m	182 g
NCL510M15020G	6418677716324	Grey, 2.0 m	350 g
NCL510M15030G	6418677716331	Grey, 3.0 m	510 g
NCL510M15040G	6418677682650	Grey, 4.0 m	677 g
NCL510M15050G	6418677682230	Grey, 5.0 m	842 g
NCL510M15060G	6418677682247	Grey, 6.0 m	1,007 g
NCL510M15080G	6418677682254	Grey, 8.0 m	1,337 g



MSK 5x1.5 mm², socket coupler NCC52S.G/free end

Product code	GTIN	Description	Weight
NCL150M15010G	6418677682131	Grey, 1.0 m	191 g
NCL150M15020G	6418677716348	Grey, 2.0 m	350 g
NCL150M15030G	6418677716355	Grey, 3.0 m	510 g
NCL150M15050G	6418677682148	Grey, 5.0 m	851 g
NCL150M15060G	6418677682155	Grey, 6.0 m	1,016 g
NCL150M15080G	6418677682162	Grey, 8.0 m	1,346 g



EnstoNet lead sets, PVC

MSK 5x2.5 mm², plug coupler NCC51S.G/socket coupler NCC52S.G

Product code	GTIN	Description	Weight
NCL550M25010G	6418677724916	Grey, 1.0 m	301 g
NCL550M25020G	6418677724923	Grey, 2.0 m	551 g
NCL550M25030G	6418677724930	Grey, 3.0 m	801 g
NCL550M25040G	6418677724947	Grey, 4.0 m	1,051 g
NCL550M25050G	6418677724954	Grey, 5.0 m	1,301 g
NCL550M25060G	6418677724961	Grey, 6.0 m	1,551 g
NCL550M25070G	6418677729065	Grey, 7.0 m	1,801 g
NCL550M25080G	6418677724978	Grey, 8.0 m	2,051 g
NCL550M25100G	6418677724992	Grey, 10.0 m	2,551 g



MSK 5x2.5 mm², plug coupler NCC51S.G/free end

Product code	GTIN	Description	Weight
NCL510M25010G	6418677729089	Grey, 1.0 m	275 g
NCL510M25020G	6418677729096	Grey, 2.0 m	536 g
NCL510M25030G	6418677729119	Grey, 3.0 m	776 g
NCL510M25050G	6418677682261	Grey, 5.0 m	1,267 g
NCL510M25060G	6418677682278	Grey, 6.0 m	1,517 g
NCL510M25080G	6418677682285	Grey, 8.0 m	2,017 g









MSK 5x2.5 mm², socket coupler NCC52S.G/free end

Product code	GTIN	Description	Weight
NCL150M25010G	6418677682179	Grey, 1.0 m	276 g
NCL150M25020G	6418677682186	Grey, 2.0 m	526 g
NCL150M25030G	6418677682193	Grey, 3.0 m	776 g
NCL150M25050G	6418677682209	Grey, 5.0 m	1,276 g
NCL150M25060G	6418677682216	Grey, 6.0 m	1,526 g
NCL150M25080G	6418677682223	Grey, 8.0 m	2,026 g



Code key

for couplers

N	A	C	2	1	S	H	W	
N								N = product group (Net)
	A B C G							<p>A = standard coding B = second mechanical coding C = third mechanical coding A is the standard coding and it is marked white or black. These colours are compatible with each other. B coding is the second mechanical coding. It is marked with blue or beige. Products with the B coding are not compatible A- or C-coded products. C coding is the third mechanical coding. It is marked with grey or red. Products with the C coding are not compatible A- or B-coded products. G as the second character denotes a product, such as a junction box, that has both A- and B-coded couplers. Products that are independent of coding are not marked with a second character.</p>
		C E S						<p>C = connector, screw E = printed circuit board coupler S = screwless connector</p>
			2					2 = 2-pole coupler, etc.
				1 2				<p>1 = plug 2 = socket</p>
					S			<p>S = strain-relief Meaning of extra characters on boxes</p>
						H		H = narrow coupler without locking latches
							B	<p>W = white  B = black  S = blue  F = beige  G = grey  P = red </p>

Installation couplers

Designed for use indoors, our installation couplers can be installed in prefabricated construction elements, hollow spaces and cable shelves or cable trunkings, for example, in accordance with the national installation standards.

Screw couplers

Screw couplers are compatible with all wire types (flexible, stranded and solid) with a cross-section of 0.75–4.0 mm². The couplers with strain-relief are suitable for use with device and extension cables, while the models without strain-relief can be used in boxes and connections inside a device.

Two-pole couplers without strain-relief, plug

Product code	GTIN	Description	Weight	Package
NAC21.W	6418677109027	White (1, N)	6.6 g	500
NAC21.B	6418677113840	Black (1, N)	6.6 g	500
NBC21.S	6418677113680	Blue (A, B)	6.6 g	500
NCC21.G	6418677117336	Grey (a+, b-)	6.6 g	500



Two-pole couplers without strain-relief, socket

Product code	GTIN	Description	Weight	Package
NAC22.W	6418677109041	White (1, N)	6.9 g	500
NAC22.B	6418677113857	Black (1, N)	6.9 g	500
NBC22.S	6418677113703	Blue (A, B)	6.9 g	500
NCC22.G	6418677117190	Grey (a+, b-)	6.9 g	500



Two-pole couplers with strain-relief, plug

Product code	GTIN	Description	Weight	Package
NAC21S.W	6418677109034	White (1, N)	11.8 g	200
NAC21S.B	6418677113871	Black (1, N)	11.8 g	200
NBC21S.S	6418677113697	Blue (A, B)	11.8 g	200
NCC21S.G	6418677117343	Grey (a+, b-)	11.8 g	200
NAC21SL.W	6418677114861	White (1, N), low	11.8 g	200
NAC21SL.B	6418677114885	Black (1, N), low	11.8 g	200
NCC21SL.G	6418677117381	Grey (a+, b-), low	11.8 g	200



Two-pole couplers with strain-relief, socket

Product code	GTIN	Description	Weight	Package
NAC22S.W	6418677109058	White (1, N)	12.3 g	200
NAC22S.B	6418677113888	Black (1, N)	12.3 g	200
NBC22S.S	6418677113710	Blue (A, B)	12.3 g	200
NCC22S.G	6418677117183	Grey (a+, b-)	12.3 g	200
NAC22SL.W	6418677114878	White (1, N), low	12.3 g	200
NAC22SL.B	6418677114892	Black (1, N), low	12.3 g	200
NCC22SL.G	6418677117473	Grey (a+, b-), low	12.3 g	200



Screw couplers

Two-pole narrow couplers without strain-relief

The coupler is 19 mm in width. Other dimensions are similar to those of the models with latches on the sides. The separate locking device NK2F.W is delivered with the plug coupler.

Product code	GTIN	Description	Weight	Package
NAC21H.W	6418677113314	Plug, white (1, N)	5.9 g	500
NAC22H.W	6418677113321	Socket, white (1, N)	6.3 g	500



Two-pole narrow couplers with strain-relief

The coupler is 28 mm in width. Other dimensions are similar to those of the models with latches on the sides. The separate locking device NK2F.W is delivered with the plug coupler.

Product code	GTIN	Description	Weight	Package
NAC21SH.W	6418677113338	Plug, white (1, N), narrow	11.4 g	200
NAC22SH.W	6418677113345	Socket, white (1, N), narrow	11.7 g	200



Three-pole couplers without strain-relief, plug

Product code	GTIN	Description	Weight	Package
NAC31.W	6418677109065	White (1, PE, N)	9.8 g	200
NAC31.B	6418677113895	Black (1, PE, N)	9.8 g	200
NBC31.S	6418677113482	Blue (A, B, C)	9.8 g	200
NCC31.G	6418677117114	Grey (a+, PE, b-)	9.8 g	200



Three-pole couplers without strain-relief, socket

Product code	GTIN	Description	Weight	Package
NAC32.W	6418677108990	White (1, PE, N)	10.1 g	200
NAC32.B	6418677113901	Black (1, PE, N)	10.1 g	200
NBC32.S	6418677113475	Blue (A, B, C)	10.1 g	200
NCC32.G	6418677117107	Grey (a+, PE, b-)	10.1 g	200



Three-pole couplers with strain-relief, plug

Product code	GTIN	Description	Weight	Package
NAC31S.W	6418677109003	White (1, PE, N)	16.3 g	200
NAC31S.B	6418677113949	Black (1, PE, N)	16.3 g	200
NBC31S.S	6418677113499	Blue (A, B, C)	16.3 g	200
NCC31S.G	6418677117084	Grey (a+, PE, b-)	16.3 g	200
NAC31SL.W	6418677708473	White (1, PE, N), low	16.3 g	200



Screw couplers

Three-pole couplers with strain-relief, socket

Product code	GTIN	Description	Weight	Package
NAC32S.W	6418677109072	White (1, PE, N)	16.8 g	200
NAC32S.B	6418677113956	Black (1, PE, N)	16.8 g	200
NBC32S.S	6418677113505	Blue (A, B, C)	16.8 g	200
NCC32S.G	6418677117091	Grey (a+, PE, b-)	16.8 g	200
NAC32SL.W	6418677708480	White (1, PE, N), low	16.8 g	200



Three-pole couplers with strain-relief, in packages of 10

Product code	GTIN	Description	Weight	Package
NAC31S.WX2	6418677706363	Plug, white (1, PE, N), 10 per package	163 g	1/20
NAC32S.WX2	6418677700873	Socket, white (1, PE, N), 10 per package	168 g	1/20
NAC31S.BX2	6418677710292	Plug, black (1, PE, N), 10 per package	163 g	1/20
NAC32S.BX2	6418677710308	Socket, black (1, PE, N), 10 per package	168 g	1/20
NBC31S.SX2	6418677710339	Plug, blue (A, B, C), 10 per package	163 g	1/20
NBC32S.SX2	6418677710346	Socket, blue (A, B, C), 10 per package	168 g	1/20
NCC31S.GX2	6418677710377	Plug, grey (a+, PE, b-), 10 per package	163 g	1/20
NCC32S.GX2	6418677710384	Socket, grey (a+, PE, b-), 10 per package	168 g	1/20



Three-pole narrow couplers without strain-relief

The coupler is 28 mm in width. Other dimensions are similar to those of the models with latches on the sides. The separate locking device NK3F.W is delivered with the plug coupler.

Product code	GTIN	Description	Weight	Package
NAC31H.W	6418677113352	Plug, white (1, PE, N)	9.2 g	200
NAC32H.W	6418677113291	Socket, white (1, PE, N)	9.6 g	200
NAC31H.B	6418677118081	Plug, black (1, PE, N)	9.2 g	200
NAC32H.B	6418677722592	Socket, black (1, PE, N)	9.6 g	200



Three-pole narrow couplers with strain-relief

The coupler is 28 mm in width. Other dimensions are similar to those of the models with latches on the sides. The separate locking device NK3F.W is delivered with the plug coupler.

Product code	GTIN	Description	Weight	Package
NAC31SH.W	6418677113307	Plug, white (1, PE, N)	15.6 g	200
NAC32SH.W	6418677113369	Socket, white (1, PE, N)	16.1 g	200



Four-pole couplers without strain-relief, plug

Product code	GTIN	Description	Weight	Package
NAC41.W	6418677113987	White (1, PE, N, 2)	12.8 g	100
NAC41.B	6418677114007	Black (1, PE, N, 2)	12.8 g	100



Four-pole couplers without strain-relief, socket

Product code	GTIN	Description	Weight	Package
NAC42.W	6418677113994	White (1, PE, N, 2)	13.3 g	100
NAC42.B	6418677114014	Black (1, PE, N, 2)	13.3 g	100



Screw couplers

Four-pole couplers with strain-relief, plug

Product code	GTIN	Description	Weight	Package
NAC41S.W	6418677114069	White (1, PE, N, 2)	21.5 g	100
NAC41S.B	6418677114083	Black (1, PE, N, 2)	21.5 g	100
NAC41SL.W	6418677708497	White (1, PE, N, 2), low	21.5 g	100



Four-pole couplers with strain-relief, socket

Product code	GTIN	Description	Weight	Package
NAC42S.W	6418677114076	White (1, PE, N, 2)	21.9 g	100
NAC42S.B	6418677114090	Black (1, PE, N, 2)	21.9 g	100
NAC42SL.W	6418677708503	White (1, PE, N, 2), low	21.9 g	100



Four-pole narrow couplers without strain-relief

The coupler is 39 mm in width. Other dimensions are similar to those of the models with latches on the sides. The separate locking device NK4F.W is delivered with the plug coupler.

Product code	GTIN	Description	Weight	Package
NAC41H.W	6418677114106	Plug, white (1, PE, N, 2)	12.2 g	100
NAC42H.W	6418677114113	Socket, white (1, PE, N, 2)	12.7 g	100



Four-pole narrow couplers with strain-relief

The coupler is 39 mm in width. Other dimensions are similar to those of the models with latches on the sides. The separate locking device NK3F.W is delivered with the plug coupler.

Product code	GTIN	Description	Weight	Package
NAC41SH.W	6418677114120	Plug, white (1, PE, N, 2)	19.1 g	100
NAC42SH.W	6418677114137	Socket, white (1, PE, N, 2)	19.6 g	100



Five-pole couplers without strain-relief, plug

Product code	GTIN	Description	Weight	Package
NAC51.W	6418677109089	White (1, 2, PE, N, 3)	15.7 g	100
NAC51.B	6418677114151	Black (1, 2, PE, N, 3)	15.7 g	100
NBC51.S	6418677113727	Blue (A, B, C, D, E)	15.7 g	100
NCC51.G	6418677117503	Grey (1, N, PE, a+, b-)	15.7 g	100



Five-pole couplers without strain-relief, socket

Product code	GTIN	Description	Weight	Package
NAC52.W	6418677109232	White (1, 2, PE, N, 3)	16.5 g	100
NAC52.B	6418677114168	Black (1, 2, PE, N, 3)	16.5 g	100
NBC52.S	6418677113741	Blue (A, B, C, D, E)	16.5 g	100
NCC52.G	6418677117527	Grey (1, N, PE, a+, b-)	16.5 g	100



Screw couplers

Five-pole couplers with strain-relief, plug

Product code	GTIN	Description	Weight	Package
NAC51S.W	6418677109225	White (1, 2, PE, N, 3)	25.1 g	100
NAC51S.B	6418677114182	Black (1, 2, PE, N, 3)	25.1 g	100
NBC51S.S	6418677113734	Blue (A, B, C, D, E)	25.1 g	100
NCC51S.G	6418677117497	Grey (1, N, PE, a+, b-)	25.1 g	100
NAC51SL.W	6418677114489	White (1, 2, PE, N, 3), low	25.1 g	100
NAC51SL.B	6418677116056	Black (1, 2, PE, N, 3), low	25.1 g	100
NCC51SL.G	6418677117855	Grey (1, N, PE, a+, b-), low	25.1 g	100



Five-pole couplers with strain-relief, socket

Product code	GTIN	Description	Weight	Package
NAC52S.W	6418677112805	White (1, 2, PE, N, 3)	25.8 g	100
NAC52S.B	6418677114199	Black (1, 2, PE, N, 3)	25.8 g	100
NBC52S.S	6418677113758v	Blue (A, B, C, D, E)	25.8 g	100
NCC52S.G	6418677117510	Grey (1, N, PE, a+, b-)	25.8 g	100
NAC52SL.W	6418677114496	White (1, 2, PE, N, 3), low	25.8 g	100
NAC52SL.B	6418677116063	Black (1, 2, PE, N, 3), low	25.8 g	100
NCC52SL.G	6418677117862	Grey (1, N, PE, a+, b-), low	25.8 g	100



Five-pole couplers with strain-relief, in packages of 5

Product code	GTIN	Description	Weight	Package
NAC51S.WX2	6418677706387	Plug, white (1, 2, PE, N, 3), 5 per package	125.5 g	1/20
NAC52S.WX2	6418677706394	Socket, white (1, 2, PE, N, 3), 5 per package	129 g	1/20
NAC51S.BX2	6418677710315	Plug, black (1, 2, PE, N, 3), 5 per package	125.5 g	1/20
NAC52S.BX2	6418677710322	Socket, black (1, 2, PE, N, 3), 5 per package	129 g	1/20
NBC51S.SX2	6418677710353	Plug, blue (A, B, C, D, E), 5 per package	125.5 g	1/20
NBC52S.SX2	6418677710360	Socket, blue (A, B, C, D, E), 5 per package	129 g	1/20
NCC51S.GX2	6418677710391	Plug, grey (1, N, PE, a+, b-), 5 per package	125.5 g	1/20
NCC52S.GX2	6418677710407	Socket, grey (1, N, PE, a+, b-), 5 per package	129 g	1/20



Five-pole narrow couplers without strain-relief

The coupler is 48 mm in width. Other dimensions are similar to those of the models with latches on the sides. The separate locking device NK3F.W is delivered with the plug coupler.

Product code	GTIN	Description	Weight	Package
NAC51H.W	6418677113376	Plug, white (1, 2, PE, N, 3)	15.0 g	100
NAC52H.W	6418677113383	Socket, white (1, 2, PE, N, 3)	15.9 g	100



Five-pole narrow couplers with strain-relief

The coupler is 48 mm in width. Other dimensions are similar to those of the models with latches on the sides. The separate locking device NK3F.W is delivered with the plug coupler.

Product code	GTIN	Description	Weight	Package
NAC51SH.W	6418677113390	Plug, white (1, 2, PE, N, 3)	24.3 g	100
NAC52SH.W	6418677113406	Socket, white (1, 2, PE, N, 3)	24.9 g	100



Screw couplers

Five-pole coupler with strain-relief, plug

The product can be used as a plug coupler for a lead set to be connected to NGJDM532. It comes with the NAC31H2.W and NBC21H1.S couplers and strain-relief. Delivered as parts.

Product code	GTIN	Description	Weight	Package
NGCST5132	6418677723117	White/blue (1, PE, N, A, B)	35.0 g	10/50



Five-pole coupler with strain-relief, socket

The product can be used as a socket coupler for a lead set to be connected to NGJDM532. It comes with the NAC32H2.W and NBC22H1.S couplers and strain-relief. Delivered as parts.

Product code	GTIN	Description	Weight	Package
NGCST5232	6418677723124	White/blue (1, PE, N, A, B)	35.0 g	10/50



Six-pole coupler with strain-relief, plug

The product can be used as a plug coupler for a lead set to be connected to NGJDM633. It comes with the NAC31H2.W and NBC31H1.S couplers and strain-relief. Delivered as parts.

Product code	GTIN	Description	Weight	Package
NGCST6133	6418677723131	White/blue (1, PE, N, A, B, C)	35.0 g	50



Six-pole coupler with strain-relief, socket

The product can be used as a socket coupler for a lead set to be connected to NGJDM633. It comes with the NAC32H2.W and NBC32H1.S couplers and strain-relief. Delivered as parts.

Product code	GTIN	Description	Weight	Package
NGCST6233	6418677723155	White/blue (1, PE, N, A, B, C)	35.0 g	10/50



Six-pole coupler with strain-relief, plug

The product can be used as a plug coupler for a lead set to be connected to NGJDM642. It comes with the NAC41H2.W and NBC21H1.S couplers and strain-relief. Delivered as parts.

Product code	GTIN	Description	Weight	Package
NGCST6142	6418677723148	White/blue (1, PE, N, 2, A, B)	39.0 g	10/50



Six-pole coupler with strain-relief, socket

The product can be used as a socket coupler for a lead set to be connected to NGJDM642. It comes with the NAC42H2.W and NBC22H1.S couplers and strain-relief. Delivered as parts.

Product code	GTIN	Description	Weight	Package
NGCST6242	6418677723162	White/blue (1, PE, N, 2, A, B)	39.0 g	10/50



Screwless couplers

Screwless couplers are mainly intended to be installed in lighting and device boxes with flange mounting. They are suitable for use with stranded and solid wires. The wires have stripped ends of 8–10 mm and cross sections of 2 x 0.5 - 2.5 mm².

Two-pole screwless couplers without strain-relief, plug

Product code	GTIN	Description	Weight	Package
NAS21.W	6418677113192	White (1, N)	12.1 g	200
NAS21.B	6418677115271	Black (1, N)	12.1 g	200
NBS21.S	6418677117022	Blue (A, B)	12.1 g	200
NCS21.G	6418677117145	Grey (a+, b-)	12.1 g	200



Two-pole screwless couplers without strain-relief, socket

Product code	GTIN	Description	Weight	Package
NAS22.W	6418677113208	White (1, N)	12.3 g	200
NAS22.B	6418677115288	Black (1, N)	12.3 g	200
NBS22.S	6418677117039	Blue (A, B)	12.3 g	200
NCS22.G	6418677117152	Grey (a+, b-)	12.3 g	200



Three-pole screwless couplers without strain-relief, plug

Product code	GTIN	Description	Weight	Package
NAS31.W	6418677707667	White (1, PE, N)	17.7 g	200
NAS31.B	6418677707650	Black (1, PE, N)	17.7 g	200
NBS31.S	6418677117008	Blue (A, B, C)	17.7 g	200
NCS31.G	6418677117121	Grey (a+, PE, b-)	17.7 g	200



Three-pole screwless couplers without strain-relief, socket

Product code	GTIN	Description	Weight	Package
NAS32.W	6418677707681	White (1, PE, N)	18.2 g	200
NAS32.B	6418677707674	Black (1, PE, N)	18.2 g	200
NBS32.S	6418677117015	Blue (A, B, C)	18.2 g	200
NCS32.G	6418677117138	Grey (a+, PE, b-)	18.2 g	200
NCS32.P	6418677118104	Red (1, PE, N)	18.2 g	200



Three-pole narrow screwless couplers without strain-relief

The coupler is 28 mm in width. Other dimensions are similar to those of the models with latches on the sides. The separate locking device NK3F.W is delivered with the plug coupler.

Product code	GTIN	Description	Weight	Package
NAS31H.W	6418677113536	Plug, white (1, PE, N)	17.5 g	200
NAS32H.W	6418677113529	Socket, white (1, PE, N)	17.5 g	200
NAS31H.B	6418677709364	Plug, black (1, PE, N)	17.5 g	200
NAS32H.B	6418677683602	Socket, black (1, PE, N)	17.5 g	200



Three-pole screwless couplers with strain-relief for two cables of ø 3.0–7.0 mm, plug

Product code	GTIN	Description	Weight	Package
NAS31SDL.W	6418677700279	White (1, PE, N)	27.3 g	200
NBS31SDL.SW	6418677701214	Blue/white (A, B, C)	27.3 g	200



Screwless couplers

Three-pole screwless couplers with strain-relief for two cables of \varnothing 3.0 – 7.0 mm, socket

Product code	GTIN	Description	Weight	Package
NAS32SDL.W	1934913	White (1, PE, N)	27.8 g	200
NBS32SDL.SW	1934914	Blue/white (A, B, C)	27.8 g	200
NAS32SD.W	1934909	White (1, PE, N)	27.8 g	200
NBS32SD.SW	1934910	Blue/white (A, B, C)	27.8 g	200
NCS32SD.GW	1934911	Grey/white (a+, PE, b-)	27.8 g	200



Three-pole screwless couplers with strain-relief for two cables of \varnothing 7.0–11.0 mm, plug

Product code	GTIN	Description	Weight	Package
NAS31SD.W	1934902	White (1, PE, N)	26.7 g	200
NBS31SD.SW	1934903	Blue/white (A, B, C)	26.7 g	200
NCS31SD.GW	1934904	Grey/white (a+, PE, b-)	26.7 g	200



Three-pole screwless couplers with strain-relief for two cables of \varnothing 7.0 – 11.0 mm, socket

Product code	GTIN	Description	Weight	Package
NAS32SD.W	1934909	White (1, PE, N)	27.8 g	200
NBS32SD.SW	1934910	Blue/white (A, B, C)	27.8 g	200
NCS32SD.GW	1934911	Grey/white (a+, PE, b-)	27.8 g	200
NCS32SD.PW	1934912	Red/white (1, PE, N)	27.8 g	200



Four-pole screwless couplers without strain-relief, plug

Product code	GTIN	Description	Weight	Package
NAS41.W	1934543	White (1, PE, N, 2)	23.4 g	100
NAS41.B	1934141	Black (1, PE, N, 2)	23.4 g	100



Four-pole screwless couplers without strain-relief, socket

Product code	GTIN	Description	Weight	Package
NAS42.W	1934544	White (1, PE, N, 2)	23.8 g	100
NAS42.B	1934142	Black (1, PE, N, 2)	23.8 g	100



Five-pole screwless couplers without strain-relief, plug

Product code	GTIN	Description	Weight	Package
NAS51.W	1934523	White (1, 2, PE, N, 3)	29.1 g	100
NAS51.B	1934854	Black (1, 2, PE, N, 3)	29.1 g	100



Five-pole screwless couplers without strain-relief, socket

Product code	GTIN	Description	Weight	Package
NAS52.W	1934527	White (1, 2, PE, N, 3)	29.2 g	100
NAS52.B	1934855	Black (1, 2, PE, N, 3)	29.2 g	100



Screwless couplers

Five-pole narrow screwless couplers without strain-relief

The coupler is 48 mm in width. Other dimensions are similar to those of the models with latches on the sides. The separate locking device NK3F.W is delivered with the plug coupler.

Product code	GTIN	Description	Weight	Package
NASS1H.W	6418677113666	Plug, white (1, 2, PE, N, 3)	29.1 g	100
NASS2H.W	6418677113673	Socket, white (1, 2, PE, N, 3)	28.6 g	100



Five-pole screwless coupler with strain-relief, plug

This product is a combination coupler equipped with a white three-pole screwless plug coupler and a blue two-pole screwless plug coupler with an external strain-relief component.

Product code	GTIN	Description	Weight	Package
NGSS5132	6418677702815	White/blue (1, PE, N, A, B)	52.4 g	50



Five-pole screwless coupler with strain-relief, socket

This product is a combination coupler equipped with a blue two-pole screwless socket coupler and a white three-pole screwless socket coupler with an external strain-relief component.

Product code	GTIN	Description	Weight	Package
NGSS5232	6418677702822	White/blue (1, PE, N, A, B)	52.4 g	50



Six-pole screwless couplers with strain-relief, plug

NGSS6133 is a combination coupler equipped with a white three-pole screwless plug coupler and a blue three-pole screwless plug coupler with an external strain-relief component. NGSS6142 is a combination coupler equipped with a white four-pole screwless plug coupler and a blue two-pole screwless plug coupler with an external strain-relief component.

Product code	GTIN	Description	Weight	Package
NGSS6133	6418677702792	White/blue (1, PE, N, A, B, C)	55 g	50
NGSS6142	6418677702839	White/blue (1, PE, N, 2, A, B)	55 g	50



Six-pole screwless couplers with strain-relief, socket

NGSS6233 is a combination coupler equipped with a white three-pole screwless socket coupler and a blue three-pole screwless socket coupler with an external strain-relief component. NGSS6242 is a combination coupler equipped with a white four-pole screwless socket coupler and a blue two-pole screwless socket coupler with an external strain-relief component.

Product code	GTIN	Description	Weight	Package
NGSS6233	6418677702808	White/blue (1, PE, N, A, B, C)	55 g	50
NGSS6242	6418677702846	White/blue (1, PE, 2, A, B)	55 g	50



Printed circuit board couplers

Printed circuit board couplers are designed for internal connections in the device. The range includes models for both horizontal and vertical mounting.

Two-pole PCB couplers, horizontal, socket

Product code	GTIN	Description	Weight	Package
NAE22H.W	6418677116650	Horizontal, white (1, N)	4.6 g	200
NBE22H.S	6418677116841	Horizontal, blue (A, B)	4.6 g	200
NBE22HH1.S	6418677116865	Horizontal, latch only on the left side, blue (A, B)	4.6 g	200
NCE22H.G	6418677701276	Horizontal, grey (a+, b-)	4.6 g	200
NCE22HH1.G	6418677701290	Horizontal, latch only on the left side, grey (a+, b-)	4.6 g	200
NAE22HH.W	6418677116667	Horizontal, no latches, white (1, N)	4.6 g	200
NBE22HH.S	6418677116858	Horizontal, no latches, blue (A, B)	4.6 g	200



Two-pole PCB couplers, vertical, socket

Product code	GTIN	Description	Weight	Package
NAE22V.W	6418677116674	Vertical, white (1, N)	4.6 g	200
NBE22V.S	6418677116872	Vertical, blue (A, B)	4.6 g	200
NBE22VH1.S	6418677116896	Vertical, latch only on the left side, blue (A, B)	4.6 g	200
NCE22V.G	6418677701306	Vertical, grey (a+, b-)	4.6 g	200
NAE22VH.W	6418677116681	Vertical, no latches, white (1, N)	4.6 g	200
NBE22VH.S	6418677116889	Vertical, no latches, blue (A, B)	4.6 g	200



Three-pole PCB couplers, horizontal, plug

Product code	GTIN	Description	Weight	Package
NAE31H.W	6418677723551	Horizontal, white (1, PE, N)	6.2 g	200
NAE31HH.W	6418677723568	Horizontal, no latches, white (1, PE, N)	6.2 g	200
NBE31H.S	6418677723599	Horizontal, blue (A, B, C)	6.2 g	200
NBE31HH.S	6418677723605	Horizontal, no latches, blue (A, B, C)	6.2 g	200
NCE31H.G	6418677723636	Horizontal, grey (a+, PE, b-)	6.2 g	200
NCE31HH.G	6418677723643	Horizontal, no latches, grey (a+, PE, b-)	6.2 g	200
NCE31H.P	6418677724268	Horizontal, red (1, PE, N)	6.2 g	200



Three-pole PCB couplers, vertical, plug

Product code	GTIN	Description	Weight	Package
NAE31V.W	6418677723575	Vertical, white (1, PE, N)	6.2 g	200
NAE31VH.W	6418677723582	Vertical, no latches, white (1, PE, N)	6.2 g	200
NBE31V.S	6418677723612	Vertical, blue (A, B, C)	6.2 g	200
NBE31VH.S	6418677723629	Vertical, no latches, blue (A, B, C)	6.2 g	200
NCE31V.G	6418677723650	Vertical, grey (a+, PE, b-)	6.2 g	200
NCE31VH.G	6418677723667	Vertical, no latches, grey (a+, PE, b-)	6.2 g	200
NCE31V.P	6418677724275	Vertical, red (1, PE, N)	6.2 g	200



Printed circuit board couplers

Three-pole PCB couplers, horizontal, socket

Product code	GTIN	Description	Weight	Package
NAE32H.W	6418677113925	Horizontal, white (1, PE, N)	7 g	200
NAE32HH2.W	6418677116704	Horizontal, latch only on the right side, white (1, PE, N)	7 g	200
NBE32H.S	6418677116902	Horizontal, blue (A, B, C)	7 g	200
NBE32HH1.S	6418677116926	Horizontal, latch only on the left side, blue (A, B, C)	7 g	200
NCE32H.G	6418677701313	Horizontal, grey (a+, PE, b-)	7 g	200
NCE32HH1.G	6418677701337	Horizontal, latch only on the left side, grey (a+, PE, b-)	7 g	200



Three-pole PCB couplers, vertical, socket

Product code	GTIN	Description	Weight	Package
NAE32V.W	6418677116711	Vertical, white (1, PE, N)	7 g	200
NAE32VH2.W	6418677116735	Vertical, latch only on the right side, white (1, PE, N)	7 g	200
NBE32V.S	6418677116933	Vertical, blue (A, B, C)	7 g	200
NBE32VH1.S	6418677116957	Vertical, latch only on the left side, blue (A, B, C)	7 g	200
NCE32V.G	6418677701344	Vertical, grey (a+, PE, b-)	7 g	200
NCE32VH1.G	6418677701368	Vertical, latch only on the left side, grey (a+, PE, b-)	7 g	200



Four-pole PCB couplers, horizontal, socket

Product code	GTIN	Description	Weight	Package
NAE42H.W	6418677116742	Horizontal, white (1, PE, N, 2)	11 g	200
NAE42HH2.W	6418677116766	Horizontal, latch only on the right side, white (1, PE, N, 2)	11 g	200



Four-pole PCB couplers, vertical, socket

Product code	GTIN	Description	Weight	Package
NAE42V.W	6418677116773	Vertical, white (1, PE, N, 2)	10 g	200
NAE42VH2.W	6418677116797	Vertical, latch only on the right side, white (1, PE, N, 2)	10 g	200



Five-pole PCB couplers, horizontal, plug

Product code	GTIN	Description	Weight	Package
NAE51H.W	6418677700996	Horizontal, white (1, 2, PE, N, 3)	11 g	100
NBE51H.S	6418677701153	Horizontal, blue (A, B, C, D, E)	11 g	100



Five-pole PCB couplers, vertical, plug

Product code	GTIN	Description	Weight	Package
NAE51V.W	6418677701016	Vertical, white (1, 2, PE, N, 3)	11 g	100
NBE51V.S	6418677701177	Vertical, blue (A, B, C, D, E)	11 g	100



Printed circuit board couplers

Five-pole PCB couplers, horizontal, socket

Product code	GTIN	Description	Weight	Package
NAE52H.W	6418677116803	Horizontal, white (1, 2, PE, N, 3)	11.1 g	100
NBE52H.S	6418677116964	Horizontal, blue (A, B, C, D, E)	11.1 g	100



Five-pole PCB couplers, vertical, socket

Product code	GTIN	Description	Weight	Package
NAE52V.W	6418677116827	Vertical, white (1, 2, PE, N, 3)	10.9 g	100
NBE52V.S	6418677116988	Vertical, blue (A, B, C, D, E)	10.9 g	100



Six-pole PCB coupler, vertical, socket

The product is connected to the NGCST6133 combination coupler.

Product code	GTIN	Description	Weight	Package
NGE6233V.W	6418677709296	Vertical, white	18 g	250



PCB coupler support

The product can be used to provide a PCB coupler support on a device frame. It helps to reduce the force on the printed circuit card caused by another coupler being connected to it. The support is fixed using the mounting holes on the 3–5-pole PCB couplers.

Product code	GTIN	Description	Weight	Package
NKTE.W	6418677708268	White	0.3 g	100/1000



Installation coupler accessories

Installation coupler accessories are designed for use with installation couplers. Our selection offers a comprehensive range of mounting flanges suitable for various device boxes and other accessories to facilitate easy installation.

Two-pole panel mounting adapter

Panel mounting adapters are delivered without couplers to enable preparations for cabling work. The panel mounting adapter is compatible with two-pole plug and socket couplers without strain relief.

Product code	GTIN	Description	Weight	Package
NK2P.W	6418677113062	White	5.4 g	100/200
NK2P.B	6418677113864	Black	5.4 g	100/200
NK2P.G	6418677701559	Grey	5.4 g	100/200
NK2P.K	6418677114724	Yellow	5.4 g	100/200
NK2P.P	6418677114731	Red	5.4 g	100/200
NK2P.S	6418677114717	Blue	5.4 g	100/200
NK2P.V	6418677114748	Green	5.4 g	100/200



Two-/five-pole panel mounting adapter

This panel mounting adapter is delivered without couplers to enable preparations for cabling work. The product is designed for two-pole couplers but it also fits in the mounting hole of a five-pole panel mounting adapter.

Product code	GTIN	Description	Weight	Package
NK25PL.W	6418677682292	White	6 g	50/100



Installation coupler accessories

Three-pole panel mounting adapter

This panel mounting adapter is delivered without couplers to enable preparations for cabling work. The panel mounting adapter is compatible with three-pole plug and socket couplers without strain relief.

Product code	GTIN	Description	Weight	Package
NK3P.W	6418677113079	White	5.5 g	100/200
NK3P.B	6418677113918	Black	5.5 g	100/200
NK3P.G	6418677700309	Grey	5.5 g	100/200
NK3P.K	6418677114250	Yellow	5.5 g	100/200
NK3P.P	6418677114281	Red	5.5 g	100/200
NK3P.S	6418677114274	Blue	5.5 g	100/200
NK3P.V	6418677114267	Green	5.5 g	100/200



Three-pole panel mounting adapter, narrow

This panel mounting adapter is delivered without couplers to enable preparations for cabling work. The panel mounting adapter is compatible with three-pole plug and socket couplers without strain relief or locking latches.

Product code	GTIN	Description	Weight	Package
NK3PF.W	6418677113086	White	3.1 g	100/200
NK3PF.B	6418677115868	Black	3.1 g	100/200
NK3PF.G	6418677701566	Grey	3.1 g	100/200
NK3PF.K	6418677115875	Yellow	3.1 g	100/200
NK3PF.P	6418677115882	Red	3.1 g	100/200
NK3PF.S	6418677115899	Blue	3.1 g	100/200
NK3PF.V	6418677115905	Green	3.1 g	100/200



Three-pole blind panel mounting adapter

A \varnothing 16.5 mm hole for fixed wiring. Lead-in with a membrane seal PMR 1237. The dimensions of its mounting hole are similar to those of the NK3P.W panel mounting adapter. This blind panel mounting adapter can be used, for example, to convert an EnstoNet lighting fixture to a lighting solution for a conventional installation.

Product code	GTIN	Description	Weight	Package
NK3PB.W	6418677114397	White	3.2 g	100/200



Three-/five-pole panel mounting adapter

Panel mounting adapters are delivered without couplers to enable preparations for cabling work. The product is designed for three-pole couplers but it also fits in the mounting hole of a five-pole panel mounting adapter

Product code	GTIN	Description	Weight	Package
NK35PL.W	6418677709203	White	5.5 g	50/100



Four-pole panel mounting adapter

Panel mounting adapters are delivered without couplers to enable preparations for cabling work. The panel mounting adapter is compatible with four-pole plug and socket couplers without strain relief.

Product code	GTIN	Description	Weight	Package
NK4P.W	6418677114045	White	6.7 g	50/100
NK4P.B	6418677114052	Black	6.7 g	50/100
NK4P.K	6418677114755	Yellow	6.7 g	50/100
NK4P.P	6418677114762	Red	6.7 g	50/100
NK4P.S	6418677114779	Blue	6.7 g	50/100
NK4P.V	6418677114786	Green	6.7 g	50/100



Installation coupler accessories

Four-pole panel mounting adapter, narrow

Panel mounting adapters are delivered without couplers to enable preparations for cabling work. The panel mounting adapter is compatible with four-pole plug and socket couplers without strain relief or locking latches.

Product code	GTIN	Description	Weight	Package
NK4PF.W	6418677114144	White	4.3 g	50/100
NK4PF.B	6418677115912	Black	4.3 g	50/100
NK4PF.K	6418677115929	Yellow	4.3 g	50/100
NK4PF.P	6418677115936	Red	4.3 g	50/100



Five-pole panel mounting adapter

Panel mounting adapters are delivered without couplers to enable preparations for cabling work. The panel mounting adapter is compatible with three-pole plug and socket couplers without strain relief.

Product code	GTIN	Description	Weight	Package
NK5PW	6418677113093	White	8.7 g	50/100
NK5PB	6418677114175	Black	8.7 g	50/100
NK5PG	6418677700293	Grey	8.7 g	50/100
NK5PK	6418677114298	Yellow	8.7 g	50/100
NK5PP	6418677114328	Red	8.7 g	50/100
NK5PS	6418677114311	Blue	8.7 g	50/100
NK5PV	6418677114304	Green	8.7 g	50/100



Five-pole panel mounting adapter, narrow

Panel mounting adapters are delivered without couplers to enable preparations for cabling work. The panel mounting adapter is compatible with five-pole plug and socket couplers without strain relief or locking latches.

Product code	GTIN	Description	Weight	Package
NK5PF.W	6418677114205	White	5.3 g	50/100
NK5PF.B	6418677115967	Black	5.3 g	50/100
NK5PF.K	6418677115974	Yellow	5.3 g	50/100
NK5PF.P	6418677115981	Red	5.3 g	50/100
NK5PF.S	6418677115998	Blue	5.3 g	50/100
NK5PF.V	6418677116001	Green	5.3 g	50/100



Five-pole blind panel mounting adapter

A \varnothing 16.5 mm hole for fixed wiring. Lead-in with a membrane seal PMR 1237. The dimensions of the product's mounting hole are similar to those of the NK5P.W panel mounting adapter. This blind panel mounting adapter can be used, for example, to convert an EnstoNet lighting fixture to a lighting solution for a conventional installation.

Product code	GTIN	Description	Weight	Package
NK5PB.W	6418677700729	White	4.1 g	100/200



Six-pole panel mounting adapter

Panel mounting adapters are delivered without couplers to enable preparations for cabling work. The panel mounting adapter is compatible with six-pole plug and socket couplers without strain relief.

Product code	GTIN	Description	Weight	Package
NK6PW	6418677719523	White	9.6 g	50/100
NK6PB	6418677729027	Black	9.6 g	50/100



Installation coupler accessories

Separate locking device

A separate locking device for narrow two-pole couplers.

Product code	GTIN	Description	Weight	Package
NK2F.W	6418677113109	White	0.2 g	100/1000



Separate locking device

A separate locking device for narrow three-, four- and five-pole couplers.

Product code	GTIN	Description	Weight	Package
NK3F.W	6418677113116	White	0.5 g	100/1000



Strain-relief for three-pole couplers with 4 mm² cables

This separate strain-relief component is suitable for three-pole plug and socket couplers without strain-relief, such as the NAC31.W and the NAC32.W. It is compatible with cables with a diameter of 12.0–16.0 mm. The product must not be used or sold in Germany.

Product code	GTIN	Description	Weight	Package
NS3M.W	6418677712258	White	14 g	200
NS3M.P	6418677715792	Red	14 g	200



Strain-relief for three-pole screwless couplers with two cables

This strain-relief product is designed for use with both plug and socket screwless couplers. It has two cable holes for cables with a diameter of 4.0–8.5 mm and 7.0–11.0 mm

Product code	GTIN	Description	Weight	Package
NS3DL.W	6418677118135	White, for a cable with a diameter of 4.0–8.5 mm.	27.3 g	200
NS3D.W	6418677118128	White, for a cable with a diameter of 7.0–11.0 mm.	27.3 g	200



Strain-relief for five-pole couplers with 4 mm² cables

A separate strain-relief device for 4 mm² couplers. It is suitable for use with 1–2 cables. The product must not be used or sold in Germany.

Product code	GTIN	Description	Weight	Package
NS5M.W	6418677712265	White, for a cable with a diameter of 12.0–17.5 mm	19 g	100
NS5M.P	6418677715808	Red, for a cable with a diameter of 12.0–17.5 mm	19 g	100
NS5M2L.W	6418677720079	White, for 1–2 cable with a diameter of 8.0–11.0 mm	19 g	100



Three-pole blanking cap for a panel mounting adapter

When EnstoNet installation couplers are installed in easily accessible spaces, the exposed socket couplers must be protected with a separate blanking cap. The NK3CP.W blanking cap is compatible with 3-pole socket couplers in a panel mounting adapter.

Product code	GTIN	Description	Weight	Package
NK3CP.W	6418677113970	White	11.3 g	1000
NK3CP.B	6418677117206	Black	11.3 g	1000



Installation coupler accessories

Three-pole blanking cap

When EnstoNet installation couplers are installed in easily accessible spaces, the exposed socket couplers must be protected with a separate blanking cap. The NK3C.W is suitable for use with three-pole socket couplers.

Product code	GTIN	Description	Weight	Package
NK3C.W	6418677113963	White	0.2 g	100/1000



Five-pole blanking cap

When EnstoNet installation couplers are installed in easily accessible spaces, the exposed socket couplers must be protected with a separate blanking cap. The NK5C.W is suitable for use with five-pole socket couplers.

Product code	GTIN	Description	Weight	Package
NK5C.W	6418677700736	White	0.2 g	100/1000



Three-pole intermediate coupler

With the intermediate coupler luminaires equipped with installation couplers can be joined together to form a long lighting fixture.

Product code	GTIN	Description	Weight	Package
NAK3A.W	6418677113833	White	7.5 g	100/1000



Five-pole intermediate coupler

With the five-pole intermediate coupler, luminaires and other devices with side flanges can be connected to each other without an extension cable.

Product code	GTIN	Description	Weight	Package
NAK5A.W	6418677681240	White	12 g	100
NCK5A.G	6418677681257	Grey	12 g	100



Mounting pad

The NKB.W mounting pad is suitable for mounting to a DIN 35 rail or a surface with screws.

Product code	GTIN	Description	Weight	Package
NKB.W	6418677114243	White	11.3 g	100/1000
NKB.B	1935317	Black	11.3 g	100/1000



Safety device for the locking latches of three-pole couplers

When EnstoNet installation couplers are installed in easily accessible spaces, the couplers must be secured in such a manner that they can only be loosened with a tool. The locking device is placed over the locking latches of the couplers connected to each other to prevent them from being disconnected without a tool.

Product code	GTIN	Description	Weight	Package
NK3FH.W	6418677116605	White	1.9 g	100/1000



Safety device for the locking latches of five-pole couplers

When EnstoNet installation couplers are installed in easily accessible spaces, the couplers must be secured in such a manner that they can only be loosened with a tool. The locking device is placed over the locking latches of the couplers connected to each other to prevent them from being disconnected without a tool.

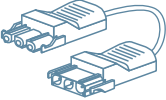
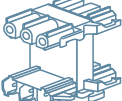
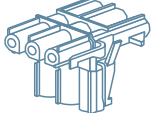
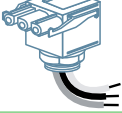
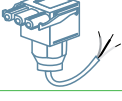
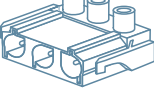
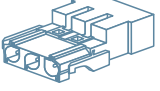
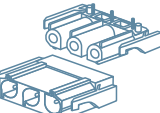
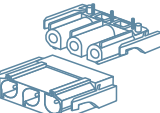
Product code	GTIN	Description	Weight	Package
NK5FH.W	6418677116612	White	3 g	100/1000






Mechanical Codes and Markings

for EnstoNet Products

20 A, 250/400 V

PRODUCT GROUP	CODING	COLOUR	POLE MARKINGS				
			2	3	4	5	
Number of Poles							
Prefabricated leads	A	white		1, $\frac{1}{2}$, N		1, 2, $\frac{1}{2}$, N, 3	
		black		1, $\frac{1}{2}$, N		1, 2, $\frac{1}{2}$, N, 3	
	B	blue	A, B	A, B, C		A, B, C, D, E	
	C	grey		a+, $\frac{1}{2}$, b-		1, N, $\frac{1}{2}$, a+, b-	
Distribution blocks	A	white					
		black					
	B	blue					
	C	grey					
		red					
T-Connectors	A	white					
		black					
	B	blue					
	C	grey					
		red					
T-Connectors with wires	A	white					
		black					
	B	blue					
	C	grey					
		red					
T-Connectors with cable	A	white					
		black					
	B	blue					
	C	grey					
Installation Couplers	A	white	1, N	1, $\frac{1}{2}$, N	1, $\frac{1}{2}$, N, 2	1, 2, $\frac{1}{2}$, N, 3	
		black	1, N	1, $\frac{1}{2}$, N	1, $\frac{1}{2}$, N, 2	1, 2, $\frac{1}{2}$, N, 3	
	B	blue	A, B	A, B, C		A, B, C, D, E	
		beige		A, B, C		A, B, C, D, E	
	C	grey	a+, b-	a+, A, b-		1, N, $\frac{1}{2}$, a+, b-	
	red		1, $\frac{1}{2}$, N		1, 2, $\frac{1}{2}$, N, 3		
Screwless Installation Couplers	A	white	1, N	1, $\frac{1}{2}$, N	1, $\frac{1}{2}$, N, 2	1, 2, $\frac{1}{2}$, N, 3	
		black	1, N	1, $\frac{1}{2}$, N	1, $\frac{1}{2}$, N, 2	1, 2, $\frac{1}{2}$, N, 3	
	B	blue	A, B	A, B, C			
		beige		A, B, C			
	C	grey	a+, b-	a+, $\frac{1}{2}$, b-			
	red		1, $\frac{1}{2}$, N				
PCB Couplers (Socket)	A	white	1, N	1, $\frac{1}{2}$, N	1, $\frac{1}{2}$, N, 2	1, 2, $\frac{1}{2}$, N, 3	
	B	blue	A, B	A, B, C		A, B, C, D, E	
	C	grey	a+, b-	a+, $\frac{1}{2}$, b-			
PCB Couplers (Plug)	A	white		1, $\frac{1}{2}$, N		1, 2, $\frac{1}{2}$, N, 3	
	B	blue				A, B, C, D, E	





 Standard product
 Special products upon request
 Not available

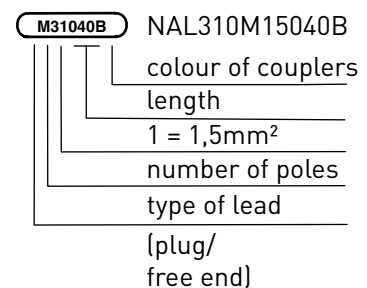
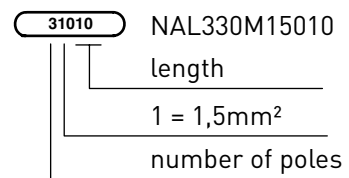
Specified product information www.ensto.com Please choose Products -> EnstoNet

Technical specifications

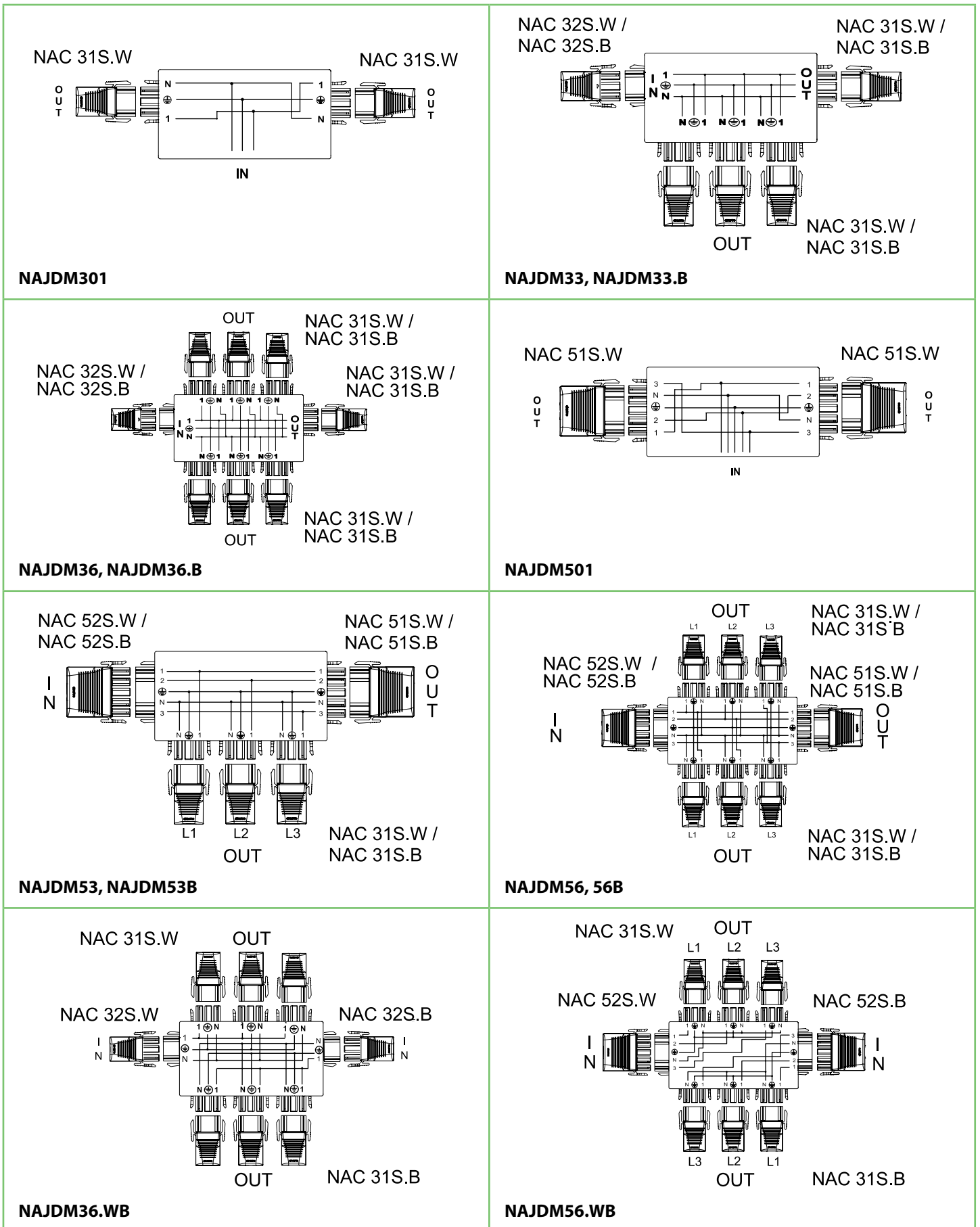
Maximum Voltage	250 V~, 250/400 V~ Ignition impulse test 4.5 kV / 250 V and 6 kV/ 400 V AC
Maximum current	20 A , prefabricated leads 16 A
Connector cross-sections	Screw connectors: 0.75 – 4.0 mm ² , flexible, stranded and solid wires Screwless connectors: 0.5 – 2.5 mm ² , stranded and solid wires
Number of poles	2 – 5-pole and 6-pole combination couplers
Standards	IEC 61535 and IEC/EN 60998 Linect products additionally: EN 60598:1, EN 61984
Approvals	All product groups: SGS FIMKO In addition for some products: UL, Lloyd's, DNV, EAC Linect products: VDE
IP classification	IP 20C
Materials	Body of couplers and distribution blocks: Polyamide 6.6 Self-extinguishment according to UL94: V2 Tracking index CTIM: 600 V (KB) Halogen-free Cadmium-free Recyclable Terminals: Silver-plated brass Terminal screws: Zinc-coated steel screws, rounded end Strain-relief screws: Zinc-coated steel screws, screw head PZ1
Allowed pull-out force for safety latches	Min. 80 N
Cables	PVC = H05VV-F HF = H05Z1Z1-F (halogen-free) W = S05Z1A7Z1-F (halogen-free, shielded) CL = control cable
Minimum installation temperature	+5 °C
Minimum operating temperature	-30 °C (without mechanical stress)
Maximum operating temperature	+70 °C
Coding	Mechanically and/or colour coded couplers
General	<p>In accordance with standard IEC/EN 61535, EnstoNet installation couplers are not compatible with any other installation coupler series. The EnstoNet installation couplers are not compatible with domestic socket-outlet and plug systems, also not compatible with couplers in accordance with standards IEC 60309, IEC 60320 and IEC 60906.</p> <p>When dimensioning a network make sure that the nominal values of the installation couplers are not exceeded in different network load situations.</p> <p>When installing, mating or unmating EnstoNet couplers make sure no load is applied. The correctness of every connected wire, cable and electrical device has to be checked electrically. Foreign objects must not be inserted into the contact parts of EnstoNet couplers.</p> <p>EnstoNet couplers are not intended for replacing domestic socket and plug connection systems.</p> <p>Make sure that a pulling force of over 80 N is not applied to couplers and cables at any time during installation or use. If excess strain is unavoidable, fix the cable.</p> <p>The use and testing of EnstoNet couplers must comply with the national installation regulations.</p>

EnstoNet electrical symbols for CAD

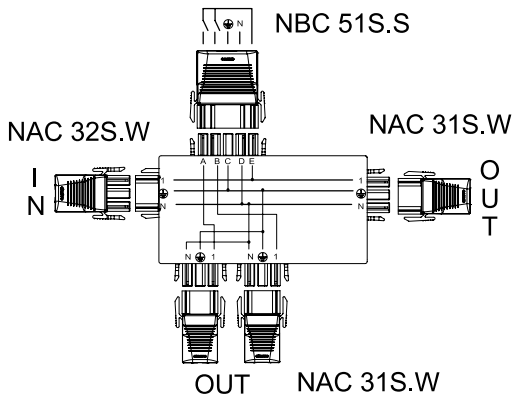
2B	NAD2.B	5TG	NCD5T.G	C-UNIT	NGUF540.WB	N	NAD3B.B
2W	NAD2.W	5TP	NCD5T.P	P300	NAP300		NAD3B.W
2S	NBD2.S	D33W	NAJDM33	P301	NAP301		NBD3B.S
2G	NCD2.G	D36W	NAJDM36	P304	NAP304		NCD3B.G
2P	NCD2.P	D33B	NAJDM33.B	P500	NAP500		NAD5B.W
3B	NAD3.B	D36B	NAJDM36.B	P504	NAP504		NBD5B.S
3W	NAD3.W	D53W	NAJDM33	P505	NAP505		NCD5B.G
3S	NBD3.S	D56W	NAJDM36				NAD5BS.W-L1
3G	NCD3.G	D53B	NAJDM53.B	N	NAC31.W		NAD5BS.W-L2
3P	NCD3.P	D56B	NAJDM56.B		NAS31.W		NAD5BS.W-L3
5B	NAD5.B	D56WB	NGJDM56.WB		NAC51.W		NAD3BS.WT004
5W	NAD5.W	K335	NGJKM335		NAS51.W		NAD3BS.WT010
5S	NBD5.S	K346	NGJKM346				NAD3BS.WT025
5G	NCD5.G	K351	NGJKM351	N	NAC32.W		NAD5BS.WT004
5P	NCD5.P	K353	NGJKM353		NAS32.W		NAD5BS.WT004-L1
36B	NAD36.B	KF345	NGJKMF345		NAC52.W		NAD5BS.WT004-L2
36W	NAD36.W	K571	NGJKM571		NAS52.W		NAD5BS.WT004-L3
3TB	NAD3T.B	K572	NGJKM572				NAD5BS.WT010
3TW	NAD3T.W	K573	NGJKM573				NAD5BS.WT010-L1
56B	NAD56.B	KV535	NGJKMV535				NAD5BS.WT010-L2
56W	NAD56.W	KL335	NGJKML335				NAD5BS.WT010-L3
5TB	NAD5T.B	KF561	NGJKM561				NAD5BS.WT010
5TW	NAD5T.W	R552	NGJRM552				NAD5BS.WT025-L1
36S	NBD36.S	R31	NGJRM31				NAD5BS.WT025-L2
3TS	NBD3T.S	R32	NGJRM32				NAD5BS.WT025-L3
5TS	NBD5T.S	F335	NGJFM335				
36G	NCD36.G		floor fixed service pole				
36P	NCD36.P		standalone service pole				
3TG	NCD3T.G		socket box				
3TP	NCD3T.P		data socket boxes				
56P	NCD56.P						



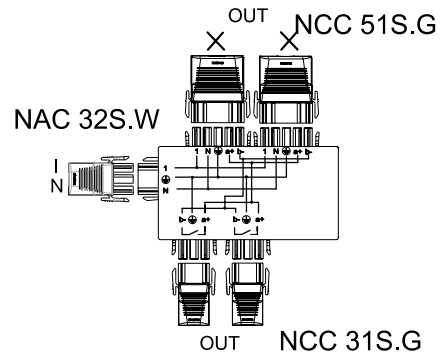
Distribution box connection diagrams



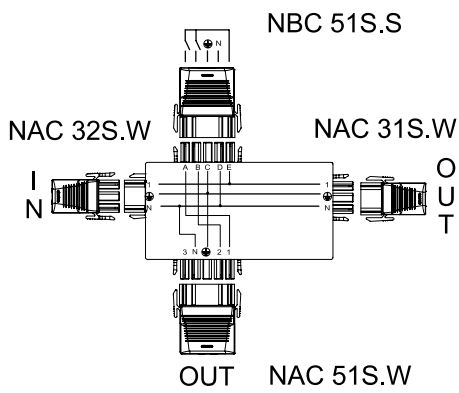
Distribution box connection diagrams



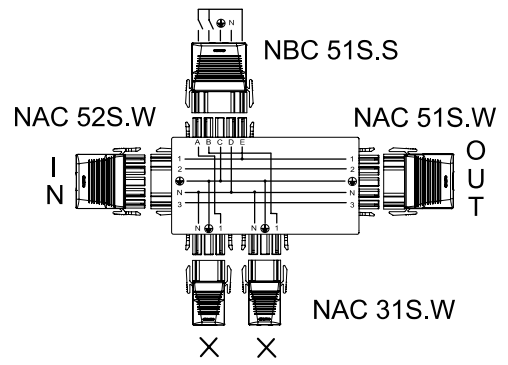
NGJKM335



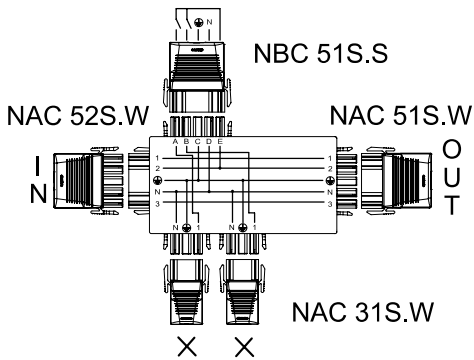
NGJKM346



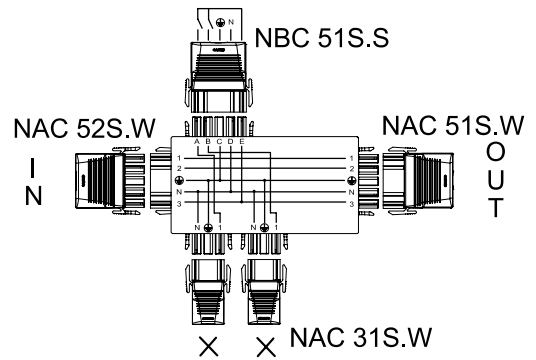
NGJKM351



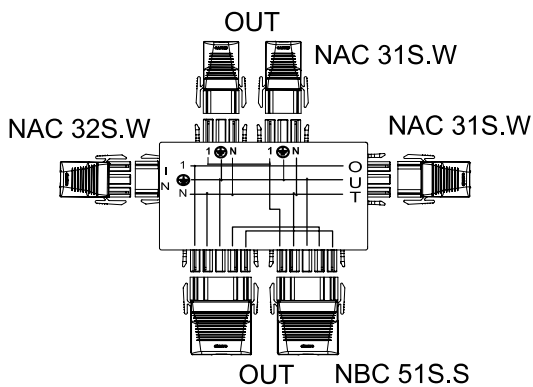
NGJKM571



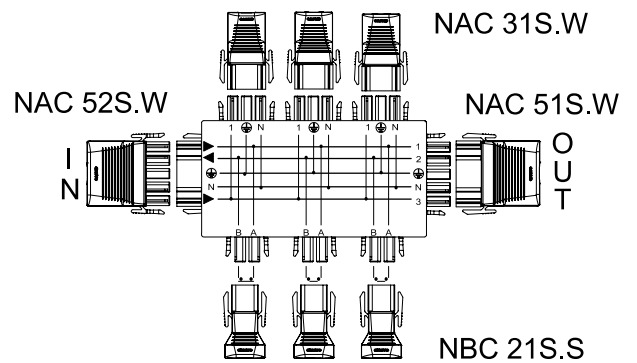
NGJKM572



NGJKM573

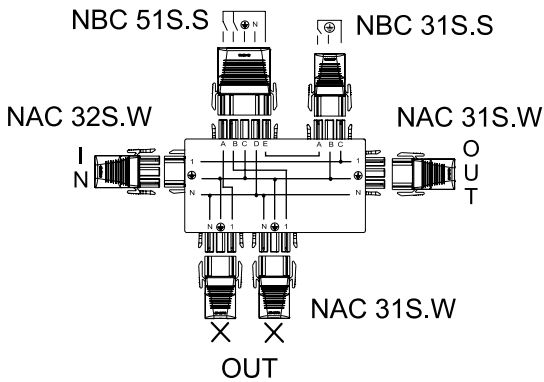


NGJKMF345

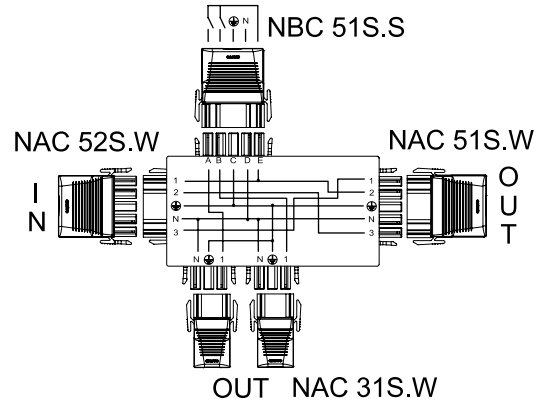


NGJKMF561

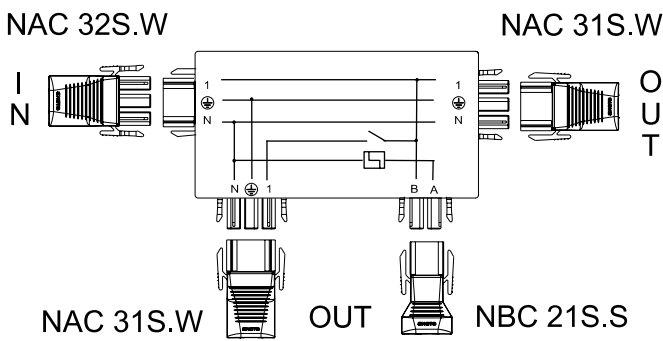
Distribution box connection diagrams



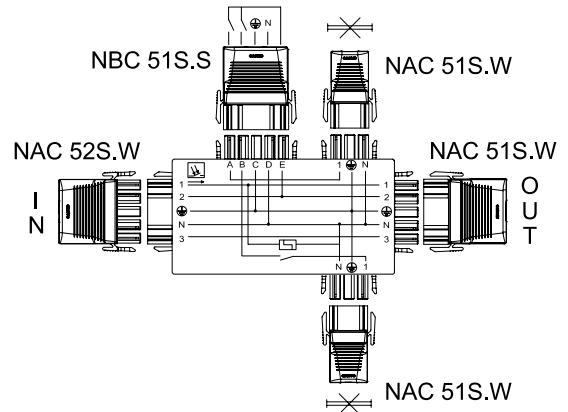
NGJKML335



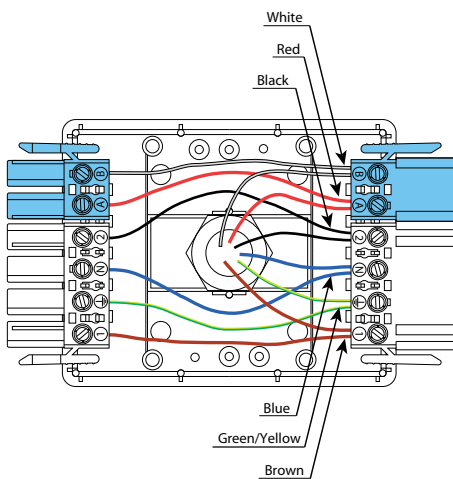
NGJKMV535



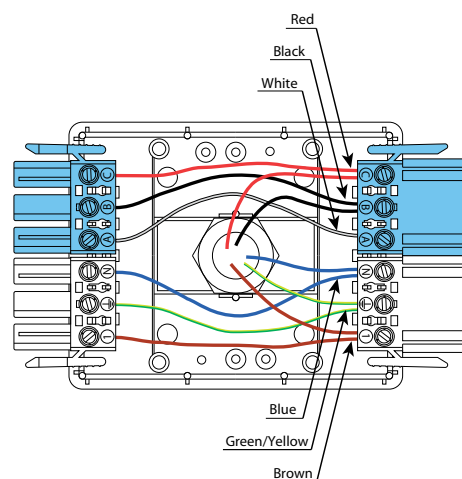
NGJRM31, NGJRM32



NGJRM552

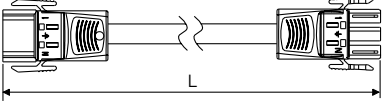
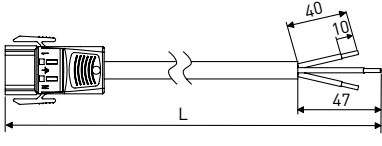
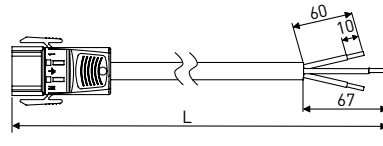
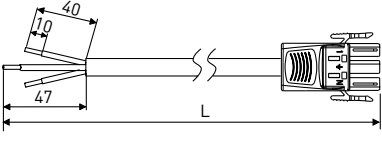
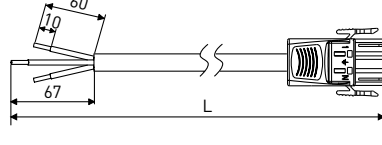
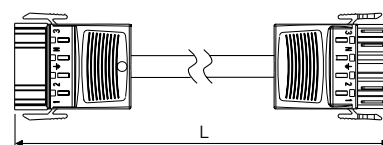
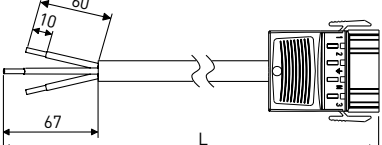
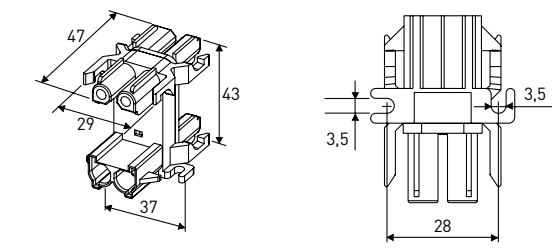
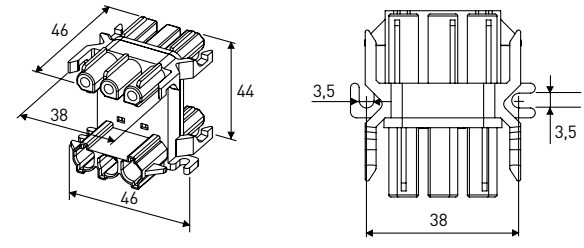
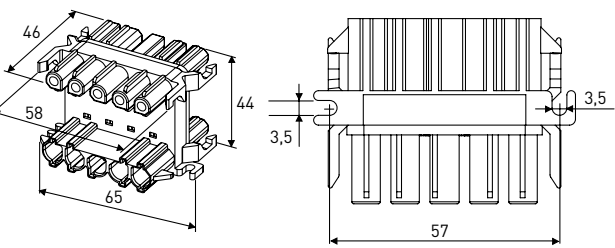


NGJDM642

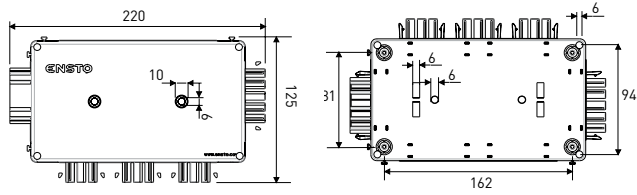


NGJDM633

Dimension drawings

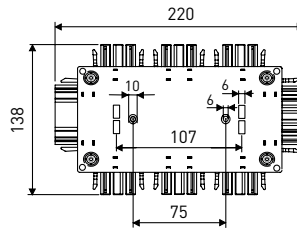
 <p>NAL330...</p>	 <p>NAL310M15... NAL310T15...</p>	 <p>NAL310M25... NAL310T25...</p>	
 <p>NAL130M15... NAL130T15...</p>	 <p>NAL130M25... NAL130T25...</p>	 <p>NAL550...</p>	
 <p>NAL511... NAL512... NAL513...</p>			
 <p>NAD2.W, NAD2.B, NBD2.S, NCD2.G</p>		 <p>NAD3.W, NAD3.B, NBD3.S, NCD3.G, NCD3.P</p>	
 <p>NAD5.W, NAD5.B, NBD5.S, NCD5.G, NCD5.P</p>			

Dimension drawings



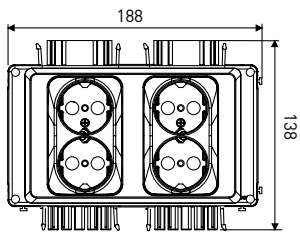
NAJDM53, NAJDM53.B

Height of the box 31 mm

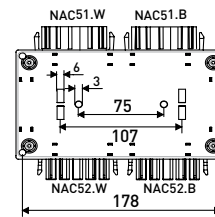


**NAJDM36, NAJDM56,
NAJDM56X, NAJDM56.B,
NAJDM56.WB, NGJKM571,
NGJKM572, NGJKM573,
NGJKM335, NGJKM351,
NGJKMF345, NGJKMF561,
NGJKMV535**

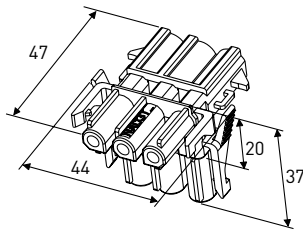
Height of the box 31 mm



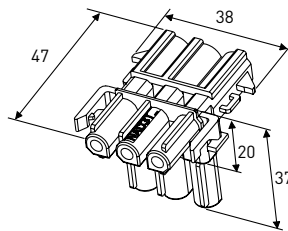
NAP505, NAP300



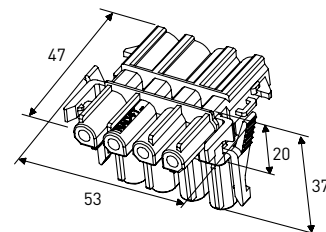
NAP505, NAP300 backside



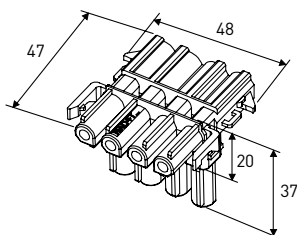
**NAD3T.W , NAD3T.B, NBD3T.S,
NCD3T.G, NCD3T.P**



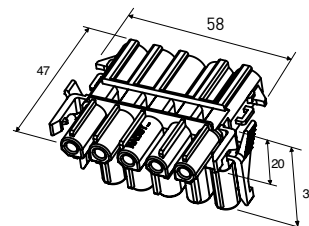
**NAD3TH3.W , NAD3TH3.B,
NCD3TH3.G, NCD3TH3.P**



NAD4T.W

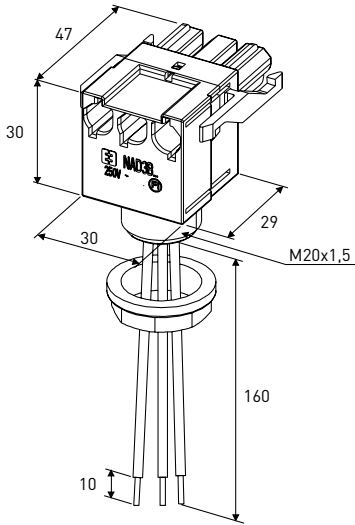


NAD4TH3.W

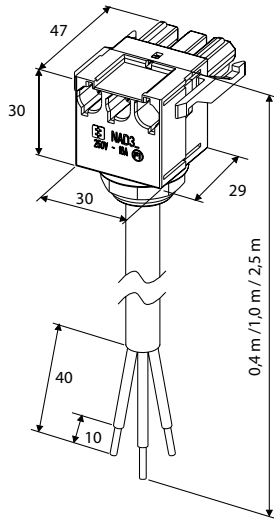


NAD5T.W, NAD5T.B, NCD5T.G, NCD5T.P

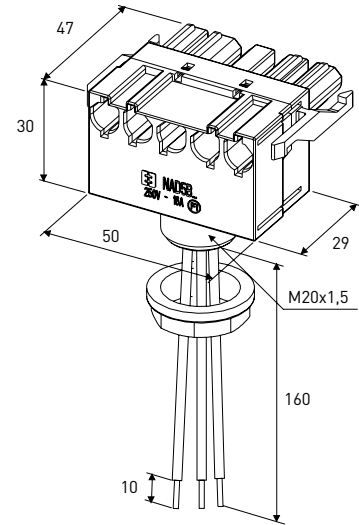
Dimension drawings



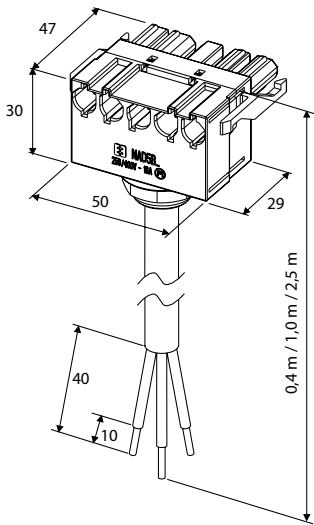
**NAD3B.W, NAD3B.B, NBD3B.S
NCD3B.G, NCD3B.P**



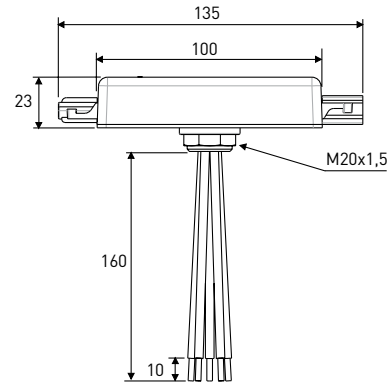
**NAD3BS.WT004, NAD3BS.WT010,
NAD3BS.WT025**



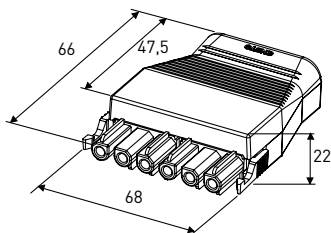
**NAD5B.W, NBD5B.S, NCD5B.G,
NAD5B.W-L1, NAD5B.W-L2,
NAD5B.W-L3, NBD5B.S-L1,
NBD5B.S-L2, NBD5B.S-L3**



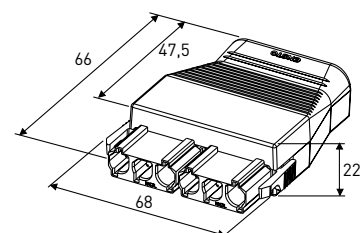
**NAD5BS.WT004, NAD5BS.WT010, NAD5BS.WT025,
NAD5BS.WT004-L1, NAD5BS.WT004-L2, NAD5BS.
WT004-L3, NAD5BS.WT025-L1, NAD5BS.WT025-L2,
NAD5BS.WT025-L3, NAD5BS.BT025-L1, NAD5BS.
BT0,25-L2, NAD5BS.BT-L3, NBD5BS.ST004,
NCD5BS.GT005**



**NGJDM633M, NGJDM633S (cable), NGJDM633SM (cable)
NGJDM633, NGJDM642,
Width 80 mm**

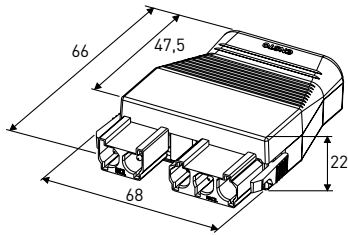


NGCST6133

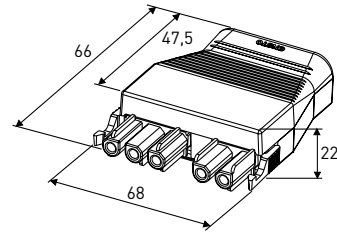


NGCST6233

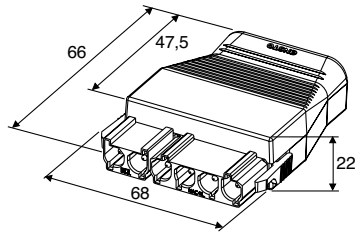
Dimension drawings



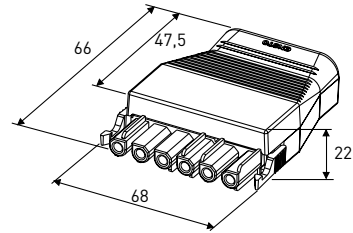
NGCST5132



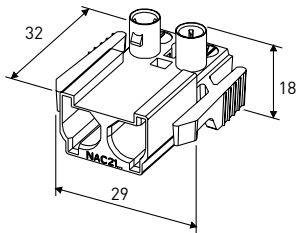
NGCST5232



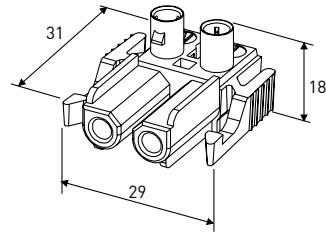
NGCST6142



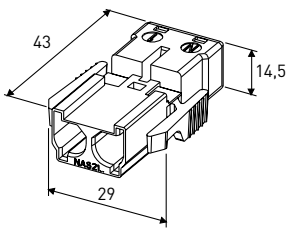
NGCST6242



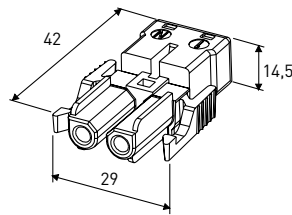
NAC21.W, NAC21.B, NBC21.S, NCC21.G



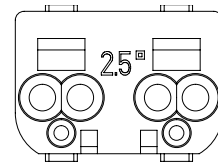
NAC22.W, NAC22.B, NBC22.S, NCC22.G



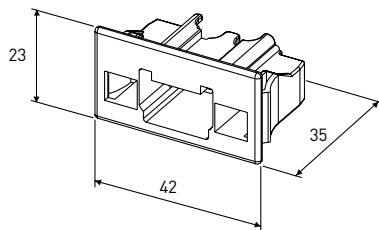
**NAS21.W, NAS21.B,
NBS21.S, NCS21.G**



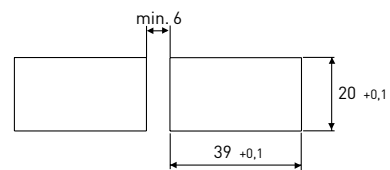
**NAS22.W, NAS22.B
NBS22.S, NCS22.G**



**Wire entries of 2-pole
connectors**

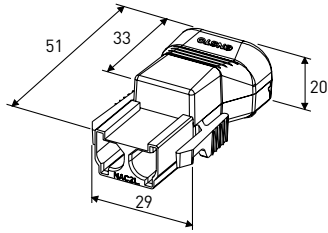


NK2P.W, NK2P.B, NK2P.G, NK2P.K, NK2P.P, NK2P.S, NK2P.V

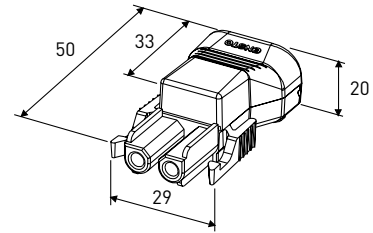


The dimensions of the mounting hole of the panel mounting adapters are shown in the figure.
Make sure that the dimensions are accurate after the plate has been painted. Plate thickness 0.5 – 1.5 mm.

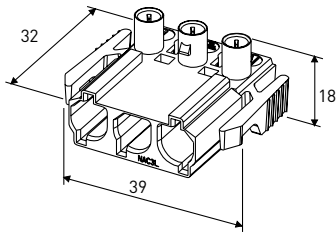
Dimension drawings



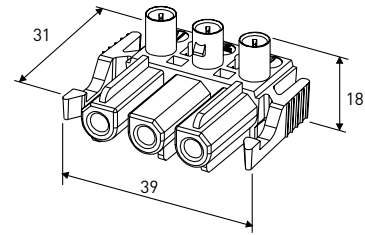
NAC21S.W, NAC21S.B, NBC21S.S
NCC21S.G, NAC21SL.W, NCC21SL.G, NAC21SL.B



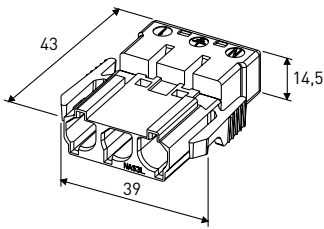
NAC22S.W, NAC22S.B, NBC22S.S
NCC22S.G, NAC22SL.W, NCC22SL.G, NAC22SL.B



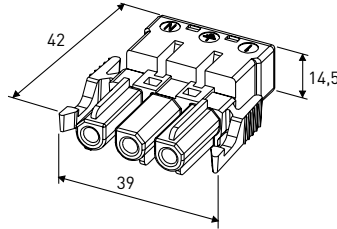
NAC31.W, NAC31.B, NBC31.S
NBC31.F, NCC31.G, NCC31.P



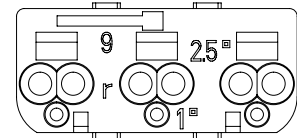
NAC32.W, NAC32.B, NBC32.S
NBC32.F, NCC32.G, NCC32.P



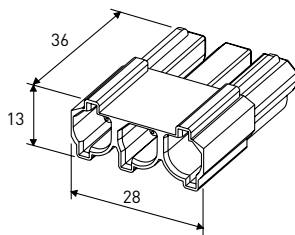
NAS31.W, NAS31.B, NBS31.S,
NBS31.F, NCS31.G, NCS31.P



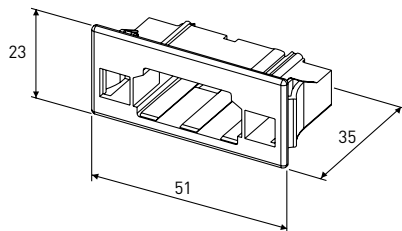
NAS32.W, NAS32.B, NBS32.S
NBS32.F, NCS32.G, NCS32.P



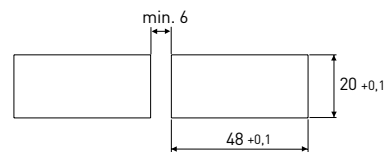
Wire entries of 3-pole connectors



NAK3A.W

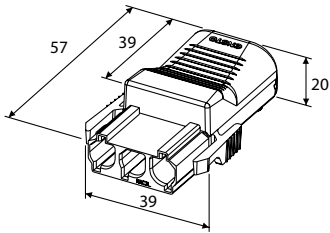


NK3P.W, NK3P.B

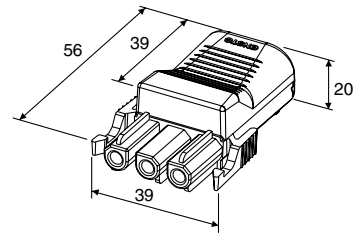


The dimensions of the mounting hole of the panel mounting adapters are shown in the figure. Make sure that the dimensions are accurate after the plate has been painted. Plate thickness 0.5 – 1.5 mm.

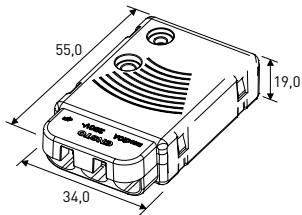
Dimension drawings



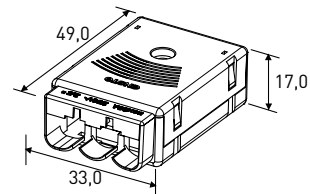
**NAC31S.W, NAC31S.B, NBC31S.S, NBC31S.F
NCC31S.G, NCC31S.P, NAC31SL.W**



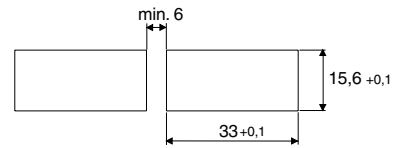
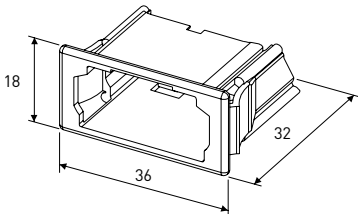
**NAC32S.W, NAC32S.B, NBC32S.S, NBC32S.F
NCC32S.G, NCC32S.P, NAC32SL.W**



NS3M.W, NS3M.P

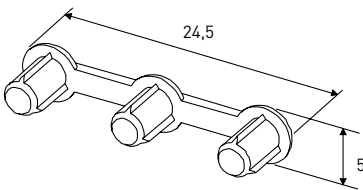


NS3D.W, NS3DL.W

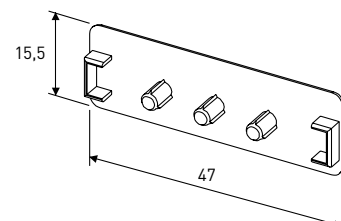


NK3PF.W, NK3PF.B, NK3PF.G, NK3PF.K, NK3PF.P, NK3PF.S, NK3PF.V

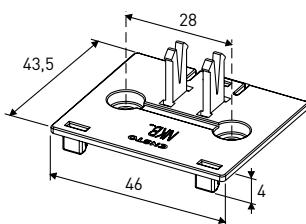
The dimensions of the mounting hole of the panel mounting adapters are shown in the figure. Make sure that the dimensions are accurate after the plate has been painted. Plate thickness 0.5 – 1.5 mm.



NK3C.W

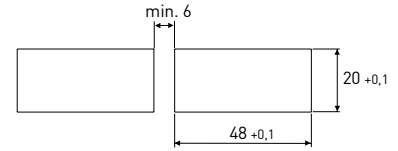
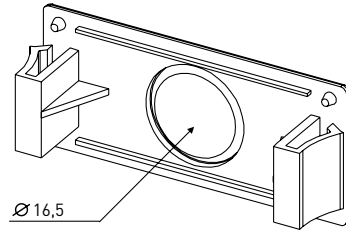
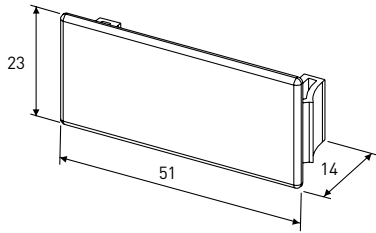


NK3CP.W, NK3CP.B

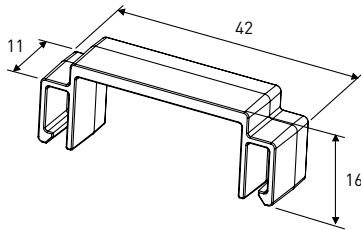


NKB.W, NKB.B

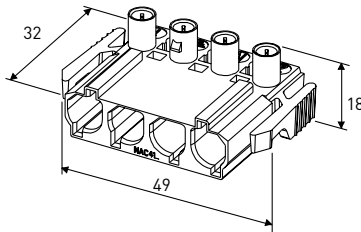
Dimension drawings



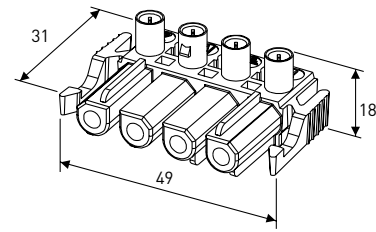
NK3PB.W



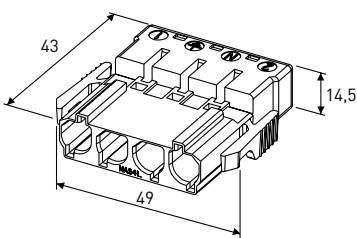
NK3FH.W



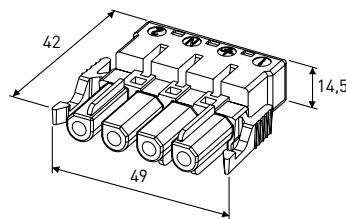
NAC41.W, NAC41.B



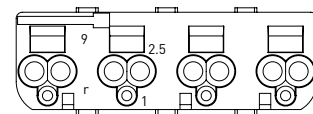
NAC42.W, NAC42.B



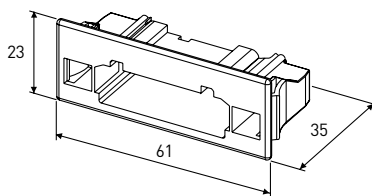
NAS41.W, NAS41.B



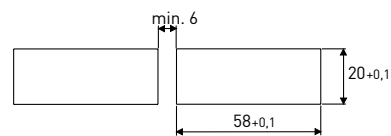
NAS42.W, NAS42.B



Wire entries of 4-pole connectors

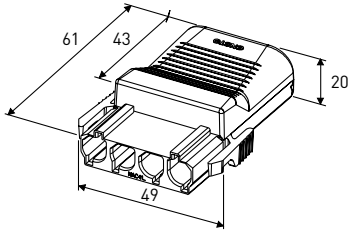


NK4P.W, NK4P.B, NK4P.K, NK4P.P, NK4P.S, NK4P.V

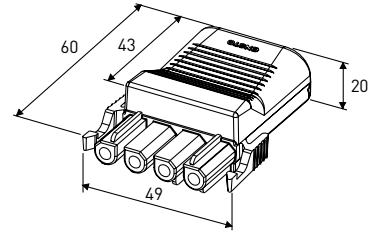


The dimensions of the mounting hole of the panel mounting adapters are shown in the figure. Make sure that the dimensions are accurate after the plate has been painted. Plate thickness 0.5 – 1.5 mm.

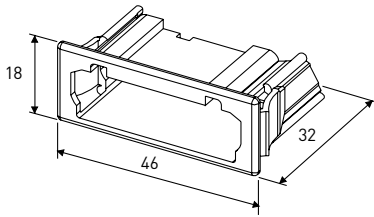
Dimension drawings



NAC41S.W, NAC41S.S, NAC41SL.W

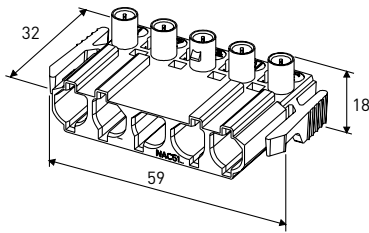
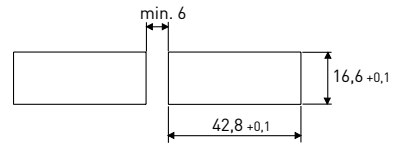


NAC42S.W, NAC42S.B, NAC42SL.W

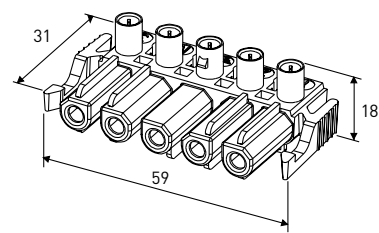


NK4PF.W, NK4PF.B, NK4PF.K, NK4PF.P

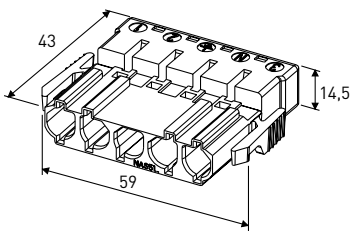
The dimensions of the mounting hole of the panel mounting adapters are shown in the figure. Make sure that the dimensions are accurate after the plate has been painted. Plate thickness 0.5 – 1.5 mm.



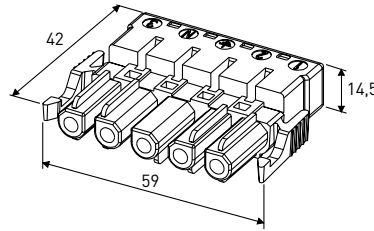
**NAC51.W, NAC51.B, NBC51.S
NBC51.F, NCC51.G, NCC51.P**



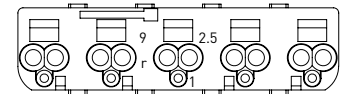
**NAC52.W, NAC52.B, NBC52.S
NBC52.F, NCC52.G, NCC52.P**



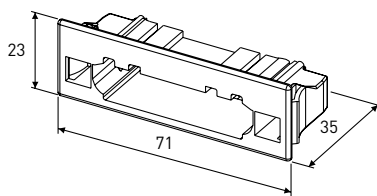
**NAS51.W, NAS51.B, NBS51.S,
NCS51.G, NCS51.P**



**NAS52.W, NAS52.B, NBS52.S
NCS52.G, NCS52.P**

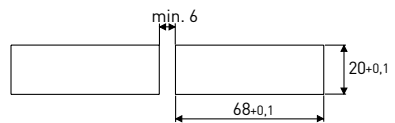


**Wire entries of 5-pole
connectors**

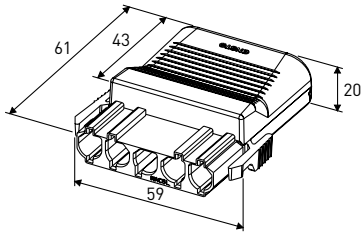


NK5P.W, NK5P.B, NK5P.G, NK5P.K, NK5P.P, NK5P.S, NK5P.V

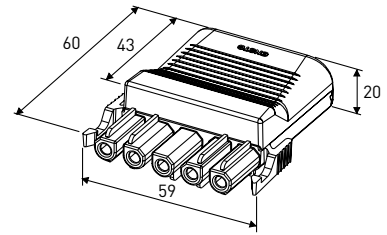
The dimensions of the mounting hole of the panel mounting adapters are shown in the figure. Make sure that the dimensions are accurate after the plate has been painted. Plate thickness 0.5 – 1.5 mm.



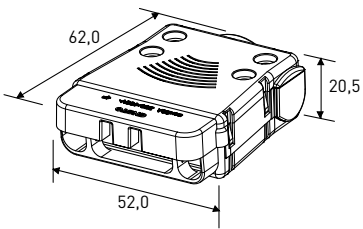
Dimension drawings



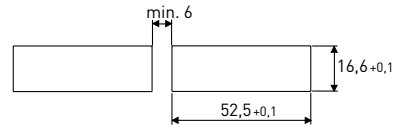
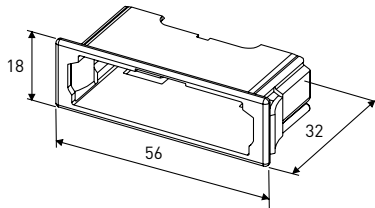
**NAC51S.W, NAC51S.B, NBC51S.S, NBC51S.F, NCC51S.G,
NCC51S.P, NAC51SL.W, NAC51SL.B, NCC51SL.G,
NAC51S.WX2**



**NAC52S.W, NAC52S.B, NBC52S.S, NBC52S.F, NCC52S.G,
NCC52S.P, NAC52SL.W, NAC52SL.B, NCC52SL.G,
NAC52S.WX2**

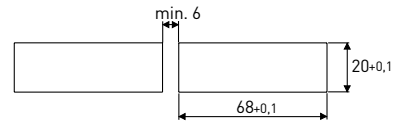
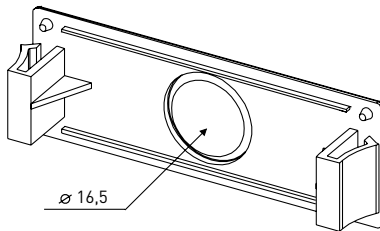
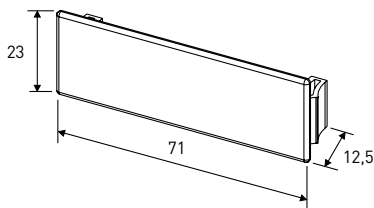


NS5M.W, NS5M.P

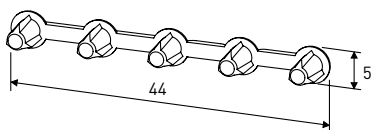


NK5PF.W, NK5PF.B, NK5PF.K, NK5PF.P, NK5PF.S, NK5PF.V

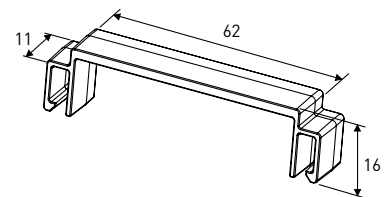
The dimensions of the mounting hole of the panel mounting adapters are shown in the figure.
Make sure that the dimensions are accurate after the plate has been painted. Plate thickness 0.5 – 1.5 mm.



NK5PB.W

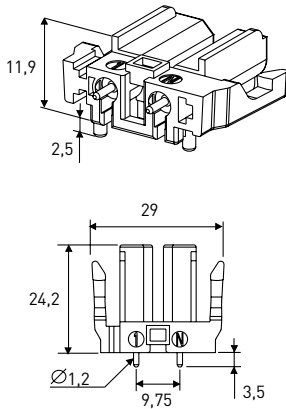


NK5C.W

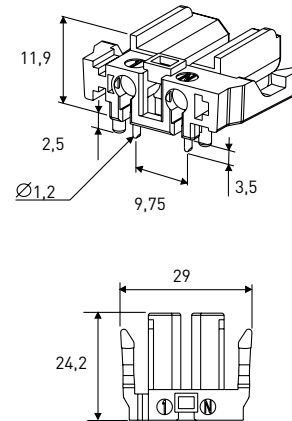


NK5FH.W

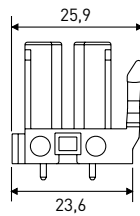
Dimension drawings



NAE22V.W, NBE22V.S, NCE22V.G

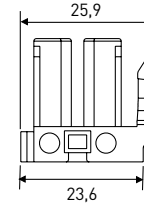


NAE22H.W, NBE22H.S, NCE22H.G



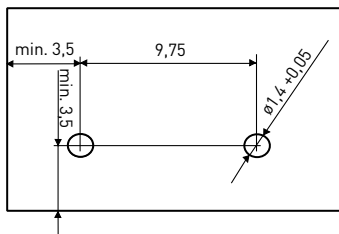
NBE22VH1.S

Other dimensions identical to the respective versions equipped with both safety latches.

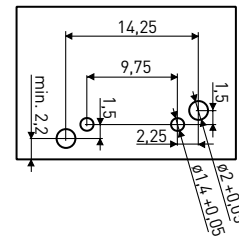


NBE22HH1.S, NCE22HH1.G

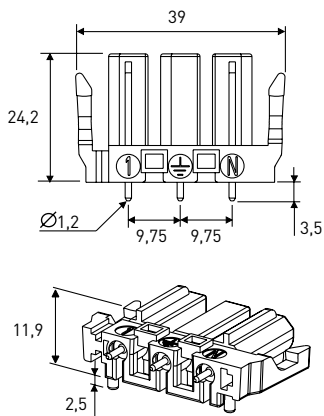
Other dimensions identical to the respective versions equipped with both safety latches.



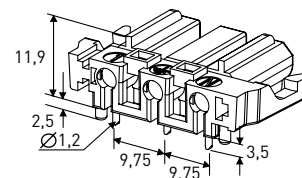
NAE22V.W, NBE22V.S, NBE22VH1.S, NCE22V.G



NAE22H.W, NBE22H.S, NBE22HH1.S, NCE22H.G, NCE22HH1.G

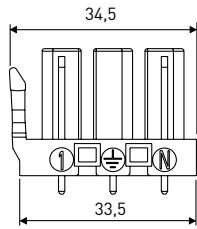


NAE32V.W, NBE32V.S, NCE32V.G



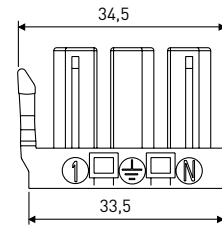
NAE32H.W, NBE32H.S, NCE32H.G

Dimension drawings



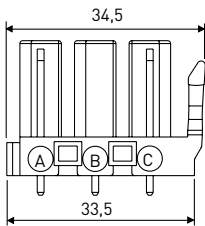
NAE32VH2.W

Other dimensions identical to the respective versions equipped with both safety latches.



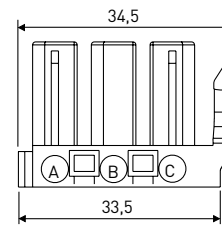
NAE32HH2.W

Other dimensions identical to the respective versions equipped with both safety latches.



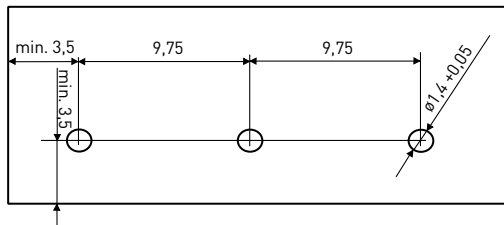
NBE32VH1.S, NCE32VH1.G

Other dimensions identical to the respective versions equipped with both safety latches.

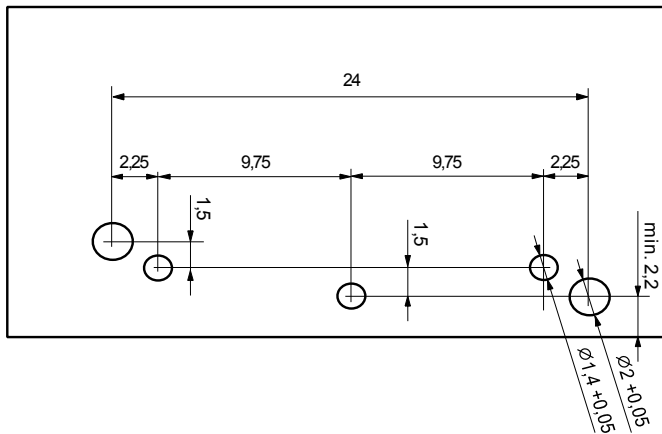


NBE32HH1.S, NCE32HH1.G

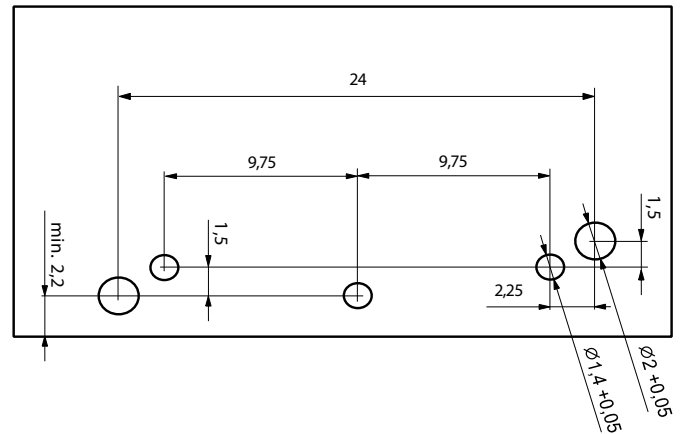
Other dimensions identical to the respective versions equipped with both safety latches.



NAE32V.W, NAE32VH2.W, NBE32V.S, NBE32VH1.S, NCE32V.G, NCE32VH1.G

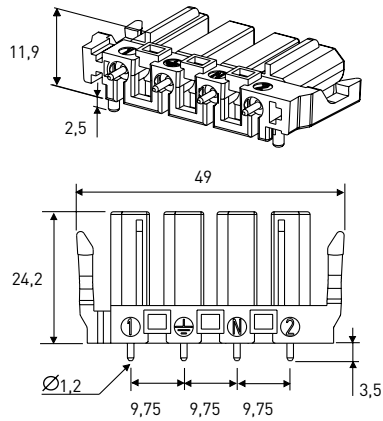


NAE31H.W, NBE31H.S, NCE31H.G, NCE31H.P

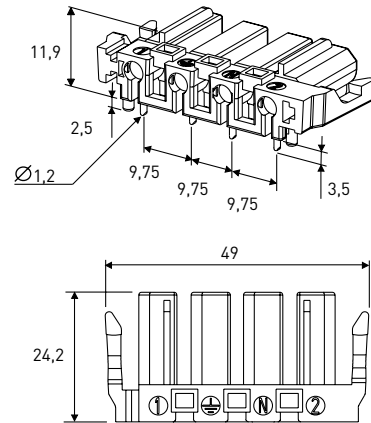


NAE32H.W, NAE32HH2.W, NBE32H.S, NBE32HH1.S, NCE32H.G, NCE32HH1.G

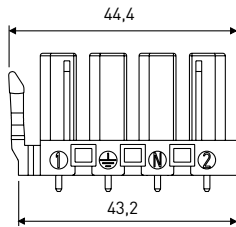
Dimension drawings



NAE42V.W

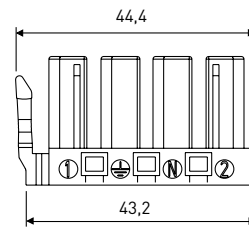


NAE42H.W



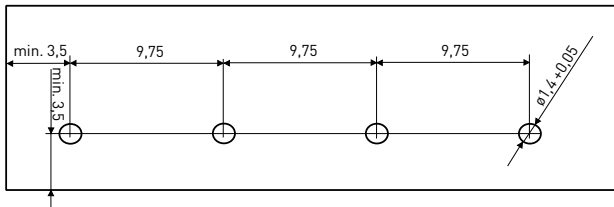
NAE42VH2.W

Other dimensions identical to the respective versions equipped with both safety latches.

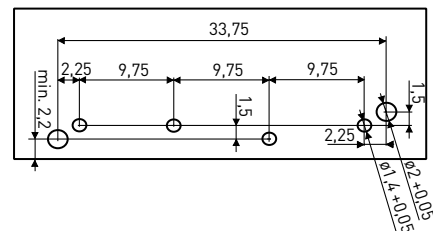


NAE42HH2.W

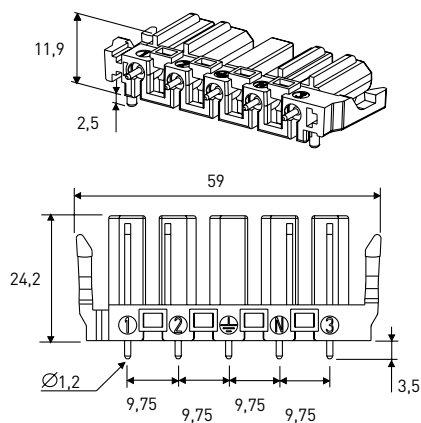
Other dimensions identical to the respective versions equipped with both safety latches.



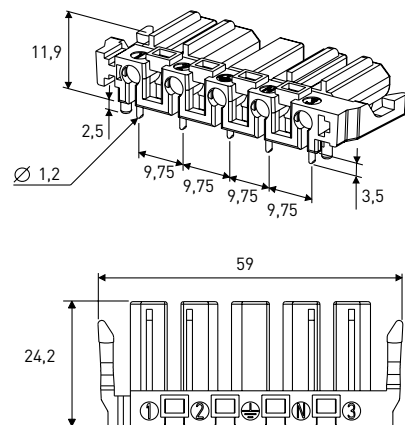
NAE42V.W, NAE42VH2.W



NAE42H.W, NAE42HH2.W

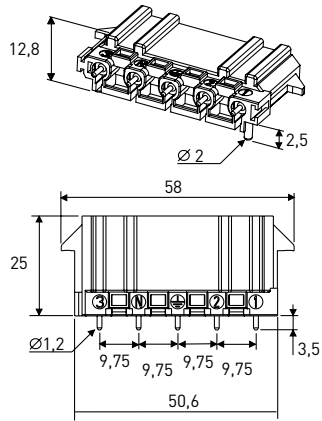


NAE52V.W, NBE52V.S

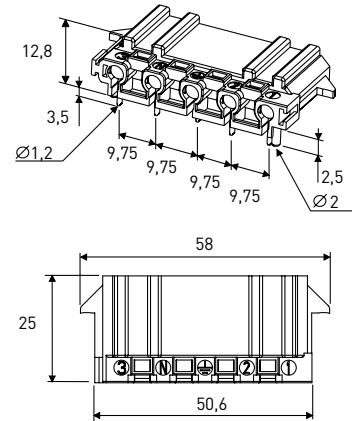


NAE52H.W, NBE52H.S

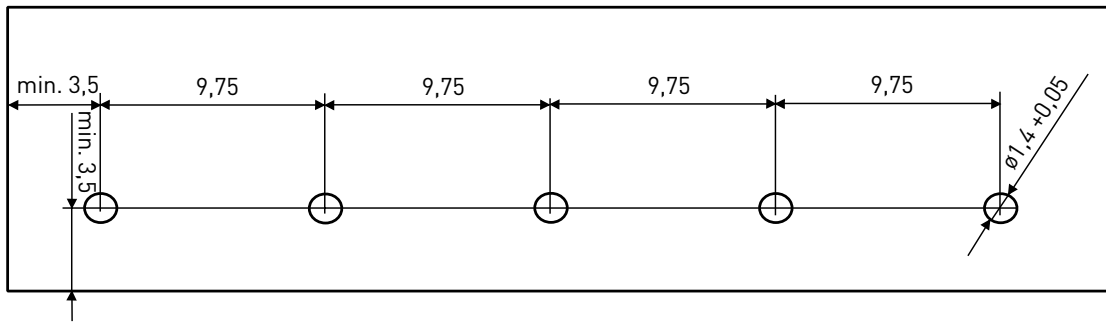
Dimension drawings



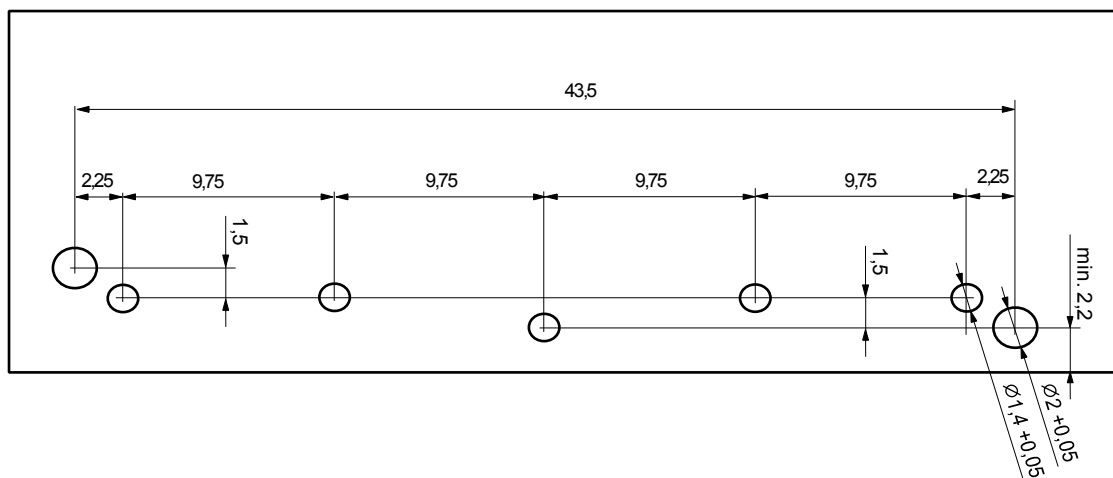
NAE51V.W, NBE51V.S



NAE51H.W, NBE51H.S

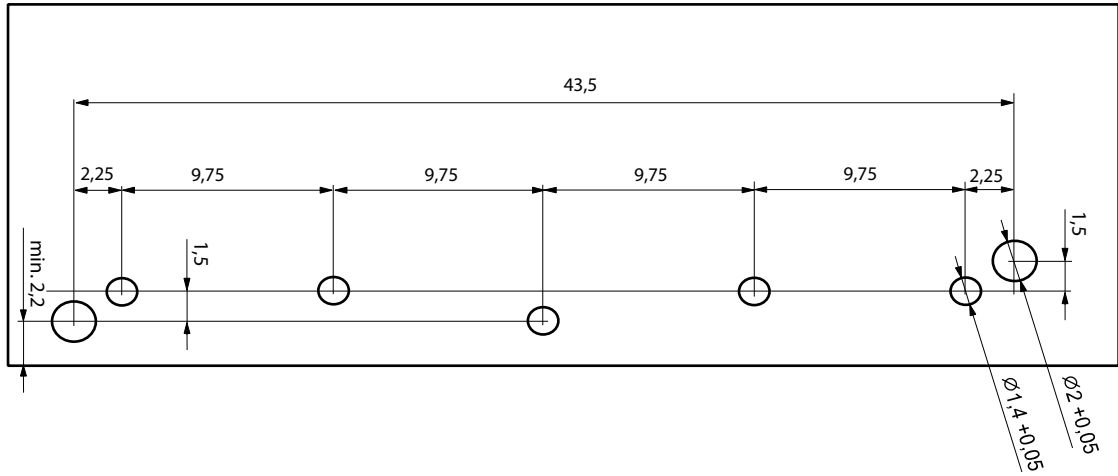


NAE52V.W, NBE52V.S

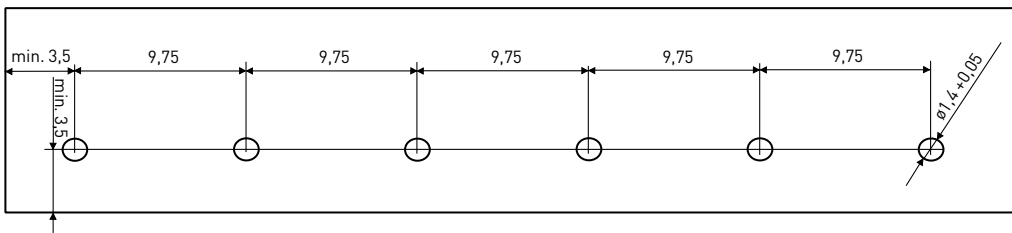


NAE51H.W, NBE51H.S

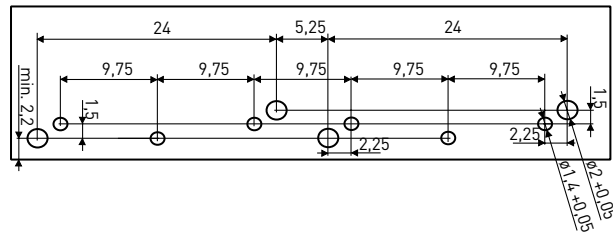
Dimension drawings



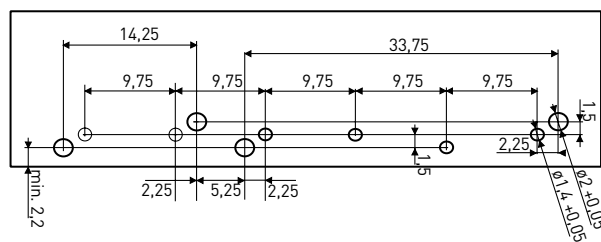
NAE52H.W, NBE52H.S



NGE6233V.W



NAE22HH2.W, NBE32HH1.S, NCE32HH1.G



NAE32VH2.W, NBE32VH1.S, NCE32VH1.G

Index

N

NAC21.B.....	60, 85	NAD3B.B.....	37, 39, 84	NAL130M15100.....	53	NAL310M15010.....	53
NAC21H.W.....	61	NAD3BS.WT004.....	37, 39, 84	NAL130M25010.....	54	NAL310M15020.....	53
NAC21S.B.....	36, 60, 86	NAD3BS.WT010.....	37, 39, 84	NAL130M25020.....	54	NAL310M15030.....	53
NAC21SH.W.....	61	NAD3BS.WT025.....	37, 39, 84	NAL130M25030.....	54	NAL310M15040.....	53
NAC21SLB.....	60, 86	NAD3BS.WT035.....	37	NAL130M25040.....	54	NAL310M15050.....	53
NAC21SLW.....	60, 86	NAD3B.W.....	37, 39, 84	NAL130M25050.....	54	NAL310M15060.....	53
NAC21S.W.....	36, 60, 86	NAD3LA.W.....	33	NAL130M25060.....	54	NAL310M15070.....	53
NAC21.W.....	60, 85	NAD3TB.....	33, 39, 83	NAL130M25080.....	54	NAL310M15080.....	53
NAC22.B.....	60, 85	NAD3TH3.B.....	33, 39, 83	NAL130M25100.....	54	NAL310M15100.....	53
NAC22H.W.....	61	NAD3TH3.W.....	33, 39, 83	NAL130T15010.....	42	NAL310M25010.....	54
NAC22S.B.....	36, 60, 86	NAD3T.W.....	33, 39, 83	NAL130T15010B.....	44	NAL310M25020.....	54
NAC22SH.W.....	61	NAD3.W.....	34, 36	NAL130T15020.....	42	NAL310M25030.....	54
NAC22SLB.....	60, 86	NAD4TH3.W.....	34, 39, 83	NAL130T15020B.....	44	NAL310M25040.....	54
NAC22SLW.....	60, 86	NAD4T.W.....	34, 39, 83	NAL130T15030.....	42	NAL310M25050.....	54
NAC22S.W.....	36, 60, 86	NAD5.B.....	35, 36	NAL130T15030B.....	44	NAL310M25060.....	54
NAC22.W.....	60, 85	NAD5BS.BT0,25-L2.....	84	NAL130T15040.....	42	NAL310M25070.....	54
NAC31.B.....	61	NAD5BS.BT025-L1.....	38, 39, 84	NAL130T15040B.....	44	NAL310M25080.....	54
NAC31.B + NK3PB.....	39	NAD5BS.BT025-L2.....	38, 39	NAL130T15050.....	42	NAL310M25100.....	54
NAC31H.B.....	62	NAD5BS.BT025-L3.....	38, 39	NAL130T15050B.....	44	NAL310T15010.....	42
NAC31H.B + NK3PF.B.....	39	NAD5BS.BT-L3.....	84	NAL130T15060.....	42	NAL310T15010B.....	44
NAC31H.W.....	62	NAD5BS.WT004.....	37, 39, 84	NAL130T15060B.....	44	NAL310T15020.....	42
NAC31H.W + NK3PF.W.....	39	NAD5BS.WT004-L1.....	37, 39, 84	NAL130T15080.....	42	NAL310T15020B.....	44
NAC31S.B.....	36, 39, 61, 87	NAD5BS.WT004-L2.....	37, 39, 84	NAL130T15080B.....	44	NAL310T15030.....	42
NAC31S.BX2.....	62	NAD5BS.WT004-L3.....	37, 39, 84	NAL130T15100.....	42	NAL310T15030B.....	44
NAC31SH.W.....	62	NAD5BS.WT010.....	37, 39, 84	NAL130T25010.....	43	NAL310T15040.....	42
NAC31SLW.....	61, 87	NAD5BS.WT010-L1.....	37, 39	NAL130T25010B.....	45	NAL310T15040B.....	44
NAC31S.W.....	36, 39, 61, 87	NAD5BS.WT010-L2.....	37, 39	NAL130T25020.....	43	NAL310T15050.....	42
NAC31S.WX2.....	62	NAD5BS.WT010-L3.....	37, 39	NAL130T25020B.....	45	NAL310T15050B.....	44
NAC31.W.....	61	NAD5BS.WT025.....	38, 39, 84	NAL130T25030.....	43	NAL310T15060.....	42
NAC31.W + NK3PW.....	39	NAD5BS.WT025-L1.....	38, 39, 84	NAL130T25030B.....	45	NAL310T15060B.....	44
NAC32.B.....	61, 86	NAD5BS.WT025-L2.....	38, 39, 84	NAL130T25040.....	43	NAL310T15080.....	42
NAC32H.B.....	62	NAD5BS.WT025-L3.....	38, 39, 84	NAL130T25040B.....	45	NAL310T15080B.....	44
NAC32H.W.....	62	NAD5B.W.....	37, 39, 84	NAL130T25050.....	43	NAL310T15100.....	42
NAC32S.....	39	NAD5B.W-L1.....	37, 39, 84	NAL130T25050B.....	45	NAL310T25005.....	43
NAC32S.B.....	36, 39, 62, 87	NAD5B.W-L2.....	37, 39, 84	NAL130T25060.....	43	NAL310T25010.....	43
NAC32S.BX2.....	62	NAD5B.W-L3.....	37, 39, 84	NAL130T25060B.....	45	NAL310T25010B.....	44
NAC32SH.W.....	62	NAD5T.B.....	34, 39, 83	NAL130T25080.....	43	NAL310T25015.....	43
NAC32SLW.....	62, 87	NAD5T.W.....	34, 39, 83	NAL130T25080B.....	45	NAL310T25020.....	43
NAC32S.W.....	36, 39, 62, 87	NAD5.W.....	35, 36	NAL130T25100.....	43	NAL310T25020B.....	44
NAC32S.WX2.....	62	NAD36.B.....	34, 36	NAL150M15010.....	55	NAL310T25025.....	43
NAC32.W.....	61, 86	NAD36.W.....	34, 36	NAL150M15020.....	55	NAL310T25030.....	43
NAC41.B.....	62, 88	NAD56.B.....	35, 36	NAL150M15030.....	55	NAL310T25030B.....	44
NAC41H.W.....	63	NAD56.W.....	35, 36	NAL150M15040.....	55	NAL310T25040.....	43
NAC41H.W + NK4PF.W.....	39	NAE22HH.W.....	69	NAL150M15050.....	55	NAL310T25040B.....	44
NAC41S.B.....	63	NAE22H.W.....	69, 91	NAL150M15060.....	55	NAL310T25050.....	43
NAC41SH.W.....	63	NAE22VH.W.....	69	NAL150M15080.....	55	NAL310T25050B.....	44
NAC41SLW.....	63, 89	NAE22V.W.....	69, 91	NAL150M15080.....	55	NAL310T25060.....	43
NAC41S.S.....	89	NAE31HH.W.....	69	NAL150M15100.....	55	NAL310T25060B.....	44
NAC41S.W.....	39, 63, 89	NAE31H.W.....	69, 92	NAL150M25010.....	56	NAL310T25060B.....	44
NAC41.W.....	62, 88	NAE31VH.W.....	69	NAL150M25020.....	56	NAL310T25080.....	43
NAC41.W + NK4PW.....	39	NAE31V.W.....	69	NAL150M25030.....	56	NAL310T25080B.....	44
NAC42.B.....	62, 88	NAE32HH2.W.....	70, 92	NAL150M25040.....	56	NAL310T25100.....	43
NAC42H.W.....	63	NAE32H.W.....	70, 91, 92	NAL150M25050.....	56	NAL330M15010.....	52
NAC42S.B.....	63, 89	NAE32VH2.W.....	70, 92	NAL150M25060.....	56	NAL330M15020.....	52
NAC42SH.W.....	63	NAE32V.W.....	70, 91, 92	NAL150M25080.....	56	NAL330M15030.....	52
NAC42SLW.....	63, 89	NAE42HH2.W.....	70, 93	NAL150M25100.....	56	NAL330M15040.....	52
NAC42S.W.....	39, 63, 89	NAE42H.W.....	70, 93	NAL150T15010.....	45	NAL330M15050.....	52
NAC42.W.....	62, 88	NAE42VH2.W.....	70, 93	NAL150T15010B.....	48	NAL330M15060.....	52
NAC51.B.....	63, 89	NAE42V.W.....	70, 93	NAL150T15020.....	45	NAL330M15070.....	52
NAC51.B + NK5PB.....	39	NAE51H.W.....	70, 94	NAL150T15020B.....	48	NAL330M15080.....	52
NAC51H.W.....	64	NAE51V.W.....	70, 94	NAL150T15030.....	45	NAL330M15100.....	52
NAC51S.B.....	36, 39, 64, 90	NAE52H.W.....	71, 93	NAL150T15030B.....	48	NAL330M25010.....	53
NAC51S.BX2.....	64	NAE52V.W.....	71, 93, 94	NAL150T15040.....	45	NAL330M25020.....	53
NAC51SH.W.....	64	NAJDM33.....	24	NAL150T15040B.....	48	NAL330M25030.....	53
NAC51SLB.....	64, 90	NAJDM33.B.....	24	NAL150T15050.....	45	NAL330M25040.....	53
NAC51SLW.....	64, 90	NAJDM36.....	24, 83	NAL150T15050B.....	48	NAL330M25050.....	53
NAC51S.W.....	36, 39, 64, 90	NAJDM36.B.....	24	NAL150T15060.....	45	NAL330M25060.....	53
NAC51S.WX2.....	64, 90	NAJDM53.....	24, 83	NAL150T15060B.....	48	NAL330M25070.....	53
NAC51.W.....	63, 89	NAJDM53.B.....	24, 83	NAL150T15080.....	45	NAL330M25080.....	53
NAC51.W + NK5PW.....	39	NAJDM56.....	25, 83	NAL150T15080B.....	48	NAL330M25100.....	53
NAC52.B.....	63, 89	NAJDM56.B.....	25, 83	NAL150T15100.....	45	NAL330T15010.....	42
NAC52H.W.....	64	NAJDM56.WB.....	83	NAL150T25010.....	47	NAL330T15010B.....	43
NAC52S.B.....	36, 39, 64, 90	NAJDM56X.....	83	NAL150T25010B.....	48	NAL330T15020.....	42
NAC52S.BX2.....	64	NAJDM301.....	25	NAL150T25020.....	47	NAL330T15020B.....	43
NAC52SH.W.....	64	NAJDM501.....	26	NAL150T25020B.....	48	NAL330T15030.....	42
NAC52SLB.....	64, 90	NAJDP592.W.....	26	NAL150T25030.....	47	NAL330T15030B.....	43
NAC52SLW.....	64, 90	NAK3A.W.....	75, 86	NAL150T25030B.....	48	NAL330T15040.....	42
NAC52S.W.....	36, 39, 64, 90	NAK5A.W.....	75, 86	NAL150T25040.....	47	NAL330T15040B.....	43
NAC52S.WX2.....	64, 90	NAL130M15010.....	53	NAL150T25040B.....	48	NAL330T15050.....	42
NAC52.W.....	63, 89	NAL130M15020.....	53	NAL150T25050.....	47	NAL330T15050B.....	43
NAD2.B.....	33, 36	NAL130M15030.....	53	NAL150T25050B.....	48	NAL330T15060.....	42
NAD2.W.....	33, 36	NAL130M15040.....	53	NAL150T25060.....	47	NAL330T15060B.....	43
NAD3.B.....	34, 36	NAL130M15050.....	53	NAL150T25060B.....	48	NAL330T15080.....	42
		NAL130M15060.....	53	NAL150T25080.....	47	NAL330T15080B.....	43
		NAL130M15080.....	53	NAL150T25080B.....	48	NAL330T15100.....	42
				NAL150T25100.....	47	NAL330T15100B.....	43

NCD56.P.....	35, 36	NCL550M15020G.....	57	NK2FW.....	74
NCE22H.G.....	69, 91	NCL550M15030G.....	57	NK2PB.....	71, 85
NCE22HH1.G.....	69, 91	NCL550M15040G.....	57	NK2PG.....	71, 85
NCE22V.G.....	69, 91	NCL550M15050G.....	57	NK2PK.....	71, 85
NCE31H.G.....	69, 92	NCL550M15060G.....	57	NK2PP.....	71, 85
NCE31HH.G.....	69	NCL550M15080G.....	57	NK2PS.....	71, 85
NCE31H.P.....	69, 92	NCL550M15100G.....	57	NK2PV.....	71, 85
NCE31V.G.....	69	NCL550M25010G.....	58	NK2PW.....	71, 85
NCE31VH.G.....	69	NCL550M25020G.....	58	NK3CPB.....	74, 87
NCE31V.P.....	69	NCL550M25030G.....	58	NK3CPW.....	74, 87
NCE32H.G.....	70, 91, 92	NCL550M25040G.....	58	NK3C.W.....	75, 87
NCE32HH1.G.....	70, 92	NCL550M25050G.....	58	NK3FH.W.....	75, 88
NCE32V.G.....	70, 91, 92	NCL550M25060G.....	58	NK3FW.....	74
NCE32VH1.G.....	70, 92	NCL550M25070G.....	58	NK3PB.....	72, 86
NCJDM252.G.....	26	NCL550M25080G.....	58	NK3PB.W.....	72, 88
NCJDM545.G.....	25	NCL550M25100G.....	58	NK3PF.B.....	72, 87
NCJDP592.G.....	26	NCL550T15010G.....	50	NK3PF.G.....	72, 87
NCK5A.G.....	75	NCL550T15020G.....	50	NK3PF.K.....	72, 87
NCL120T15010G.....	41	NCL550T15030G.....	50	NK3PF.P.....	72, 87
NCL120T15020G.....	41	NCL550T15040G.....	50	NK3PF.S.....	72, 87
NCL120T15030G.....	41	NCL550T15050G.....	50	NK3PF.V.....	72, 87
NCL120T15040G.....	41	NCL550T15060G.....	50	NK3PF.W.....	72, 87
NCL120T15050G.....	41	NCL550T15080G.....	50	NK3P.G.....	72
NCL120T15060G.....	41	NCL550T15100G.....	50	NK3PK.....	72
NCL120T15080G.....	41	NCL550T25010G.....	50	NK3PP.....	72
NCL120T15100G.....	41	NCL550T25020G.....	50	NK3PS.....	72
NCL150M15010G.....	57	NCL550T25030G.....	50	NK3PV.....	72
NCL150M15020G.....	57	NCL550T25040G.....	50	NK3PW.....	72, 86
NCL150M15030G.....	57	NCL550T25050G.....	50	NK4PB.....	72, 88
NCL150M15050G.....	57	NCL550T25060G.....	50	NK4PF.B.....	73, 89
NCL150M15060G.....	57	NCL550T25080G.....	50	NK4PF.K.....	73, 89
NCL150M15080G.....	57	NCL550T25100G.....	50	NK4PF.P.....	73, 89
NCL150M25010G.....	58	NCS21.G.....	66, 85	NK4PF.W.....	73, 89
NCL150M25020G.....	58	NCS22.G.....	66, 85	NK4PK.....	72, 88
NCL150M25030G.....	58	NCS31.G.....	66, 86	NK4PP.....	72, 88
NCL150M25050G.....	58	NCS31.P.....	86	NK4PS.....	72, 88
NCL150M25060G.....	58	NCS31SD.GW.....	67	NK4PV.....	72, 88
NCL150M25080G.....	58	NCS32.G.....	66, 86	NK4PW.....	72, 88
NCL150T15010G.....	50	NCS32.P.....	66, 86	NK5C.W.....	75, 90
NCL150T15020G.....	50	NCS32SD.GW.....	67	NK5FH.W.....	75, 90
NCL150T15030G.....	50	NCS32SD.PW.....	67	NK5PB.....	73, 89
NCL150T15050G.....	50	NCS51.G.....	89	NK5PB.W.....	73, 90
NCL150T15060G.....	50	NCS51.P.....	89	NK5PF.B.....	73, 90
NCL150T15080G.....	50	NCS52.G.....	89	NK5PF.K.....	73, 90
NCL150T25010G.....	51	NCS52.P.....	89	NK5PF.P.....	73, 90
NCL150T25020G.....	51	NGCST5132.....	65, 85	NK5PF.S.....	73, 90
NCL150T25030G.....	51	NGCST5232.....	65, 85	NK5PF.V.....	73, 90
NCL150T25050G.....	51	NGCST6133.....	65, 84	NK5PF.W.....	73, 90
NCL150T25060G.....	51	NGCST6142.....	65, 85	NK5P.G.....	73, 89
NCL150T25080G.....	51	NGCST6233.....	65, 84	NK5PK.....	73, 89
NCL210T15010G.....	41	NGCST6242.....	65, 85	NK5PP.....	73, 89
NCL210T15020G.....	41	NGE6233V.W.....	71	NK5PS.....	73, 89
NCL210T15030G.....	41	NGJDM36.WB.....	25	NK5PV.....	73, 89
NCL210T15040G.....	41	NGJDM56.WB.....	25	NK5PW.....	73, 89
NCL210T15050G.....	41	NGJDM532.....	38	NK6PB.....	73
NCL210T15060G.....	41	NGJDM633.....	38, 84	NK6PW.....	73
NCL210T15080G.....	41	NGJDM633M.....	38, 84	NK25PL.W.....	71
NCL210T15100G.....	41	NGJDM633S.....	38, 84	NK35PL.W.....	72
NCL220T15010G.....	41	NGJDM633SM.....	38, 84	NKB.B.....	75, 87
NCL220T15020G.....	41	NGJDM642.....	38, 84	NKB.W.....	75, 87
NCL220T15030G.....	41	NGJDM752.WG.....	26	NKTE.W.....	71
NCL220T15040G.....	41	NGJDP692.WS.....	26	NS3DL.W.....	74, 87
NCL220T15050G.....	41	NGJFM335C.....	30	NS3D.W.....	74, 87
NCL220T15060G.....	41	NGJKM31.....	27	NS3M.P.....	74, 87
NCL220T15080G.....	41	NGJKM322.....	27	NS3M.W.....	74, 87
NCL220T15100G.....	41	NGJKM331.....	28	NS5M2L.W.....	74
NCL510M15010G.....	57	NGJKM335.....	27, 83	NS5M.P.....	74, 90
NCL510M15020G.....	57	NGJKM346.....	29	NS5M.W.....	74, 90
NCL510M15030G.....	57	NGJKM351.....	27, 83		
NCL510M15040G.....	57	NGJKM353.WG.....	29		
NCL510M15050G.....	57	NGJKM525.WG.....	29		
NCL510M15060G.....	57	NGJKM552.WG.....	29		
NCL510M15080G.....	57	NGJKM571.....	28, 83		
NCL510M25010G.....	58	NGJKM572.....	28, 83		
NCL510M25020G.....	58	NGJKM573.....	28, 83		
NCL510M25030G.....	58	NGJRM31.....	29		
NCL510M25050G.....	58	NGJRM32.....	29		
NCL510M25060G.....	58	NGJRM33.....	30		
NCL510M25080G.....	58	NGJRM332.....	29		
NCL510T15010G.....	50	NGJRM552.....	30		
NCL510T15020G.....	50	NGSS5132.....	68		
NCL510T15040G.....	50	NGSS5232.....	68		
NCL510T15050G.....	50	NGSS6133.....	68		
NCL510T15060G.....	50	NGSS6142.....	68		
NCL510T15080G.....	50	NGSS6233.....	68		
NCL510T25010G.....	51	NGSS6242.....	68		
NCL510T25020G.....	51	NGU-ENET.....	32		
NCL510T25030G.....	51	NGU-KNX.....	32		
NCL510T25050G.....	51	NGU-KNX-DALI.....	32		
NCL510T25060G.....	51				
NCL510T25080G.....	51				
NCL550M15010G.....	57				

Notes



Ensto Finland Oy
Ensio Miettisen katu 2, P.O. Box 77
FIN-06101 Porvoo, Finland
ensto@ensto.com

ensto.com



ENSTO Installation Coupler Systems

EnstoNet